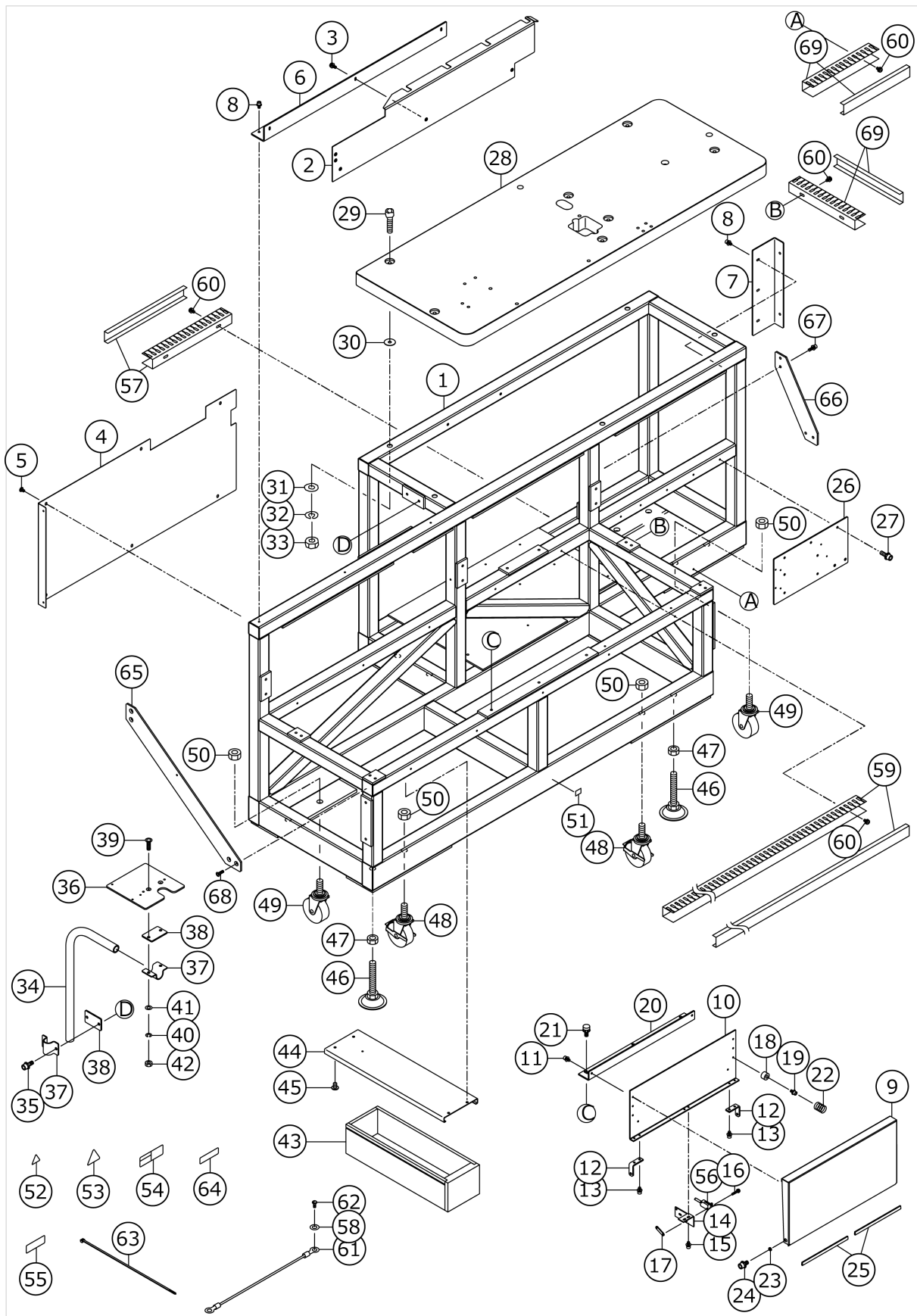


AC-172N-1790

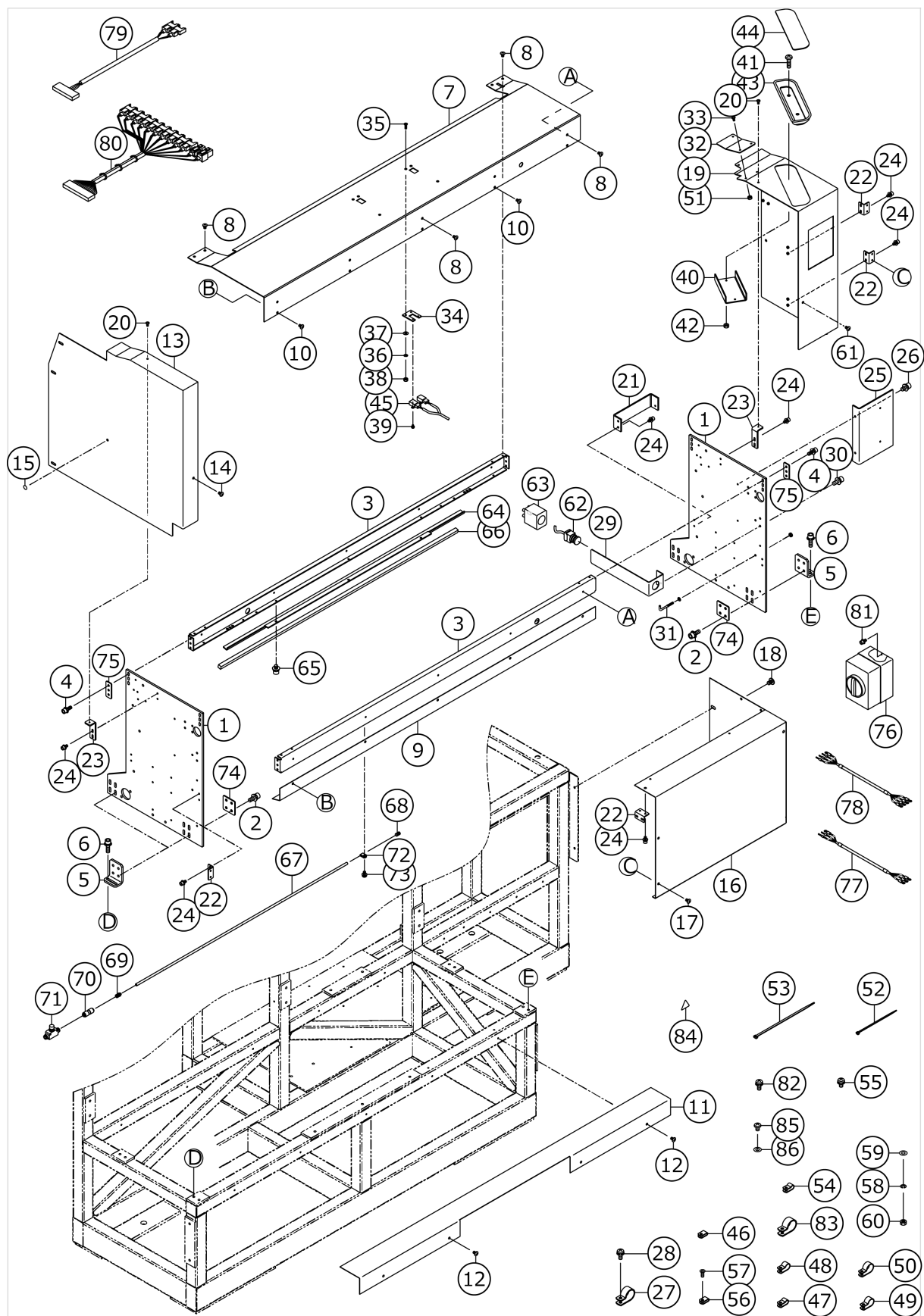
FRAME & MECHANISM COVER COMPONENTS (1)



No.	品番	品名	備考	子部品	消耗品	個数
1	40093182	ASSY FRAME				1.00
2	40093206	FEED_COVER				1.00
3	SL4041091SC	SCREW M4 L=10				3.00
4	40093216	REAR COVER BOTTOM				1.00
5	SM0040601SA	SCREW				6.00
6	G5022172000	REAR COVER SUPPORT TOP				1.00
7	G5024172000	RIGHT COVER SUPPORT LARGE				1.00
8	SL6040892TN	BOLT				6.00
9	G50051720A0	KNEE SWITCH				1.00
10	G5006172000	KNEE SWITCH SUPPORT				1.00
11	SL6040892TN	BOLT				2.00
12	G5007172000	KNEE SWITCH SHAFT HOLDER				2.00
13	SL6040892TN	BOLT				4.00
14	G5008172000	MICROSWITCH FITTING PLATE				1.00
15	SL6040892TN	BOLT				2.00
16	SL4031691SC	SCREW M3 L=16				2.00
17	13774906	SWITCH BASE				1.00
18	G5009172000	STOPPER RUBBER				3.00
19	SL6040842TN	SCREW M4 L=8				3.00
20	G5010172000	KNEE SWITCH FITTING PLATE				1.00
21	SL9061693SE	WASHER HEXAGONAL BOLT M6 L=16				3.00
22	B3207470000	SPRING				2.00
23	B2544280000	WASHER FOR WORK CLAMP FOOT HOOK				2.00
24	SL6061292TN	SCREW				2.00
25	GBR01910000	RUBBER CUSHION				2.00
26	40011422	SV-BASE				1.00
27	SL6041292TN	SCREW				3.00
28	40093298	ACF TABLE				1.00
29	MTJMS000030	SCREW				5.00
30	22573505	PACKING				5.00
31	WP0852086SC	WASHER M8				5.00
32	WS0820002KN	SPRING WASHER M8				5.00
33	NS6200710SN	NUT 5/16-18				5.00
34	G1017192000	STAND				1.00
35	SL6061692TN	BOLT				2.00
36	40093212	PANEL_PLATE				1.00
37	G1015192000	CLAMP				2.00
38	G1016192000	CLAMP BOTTOM PLATE				2.00
39	SM1062052TP	SCREW M6 L=20				2.00
40	WS0610002KN	SPRING WASHER 6.1X12.2X1.5				2.00
41	WP0641601SC	WASHER				2.00
42	NM6060001SC	NUT M6				2.00
43	11155108	DRAWER				1.00
44	G5011172000	DRAWING RAIL				1.00
45	SM0040601SA	SCREW				4.00
46	G5033172000	ADJUSTER				7.00
47	NM6160001SC	NUT				7.00
48	G5031164000	CASTER WITH BRAKE				4.00
49	G5032164000	CASTER				2.00
50	NM6160001SC	NUT				6.00

51	16870206	GRAVITY SEAL				1.00
52	CM300200003	ATTENTION LABEL				4.00
53	CM300200004	LABEL (50)				1.00
54	CM301300001	SAFETY LABEL				1.00
55	40094560	CE MARKING LABEL (EU)				1.00
56	40016844	START SWITCH ASSY				1.00
57	G6801172000	DUCT A				1.00
58	WT0430002KN	WASHER M4				1.00
59	G6803172000	DUCT C				1.00
60	SL4040891SC	SCREW M4 L=8				8.00
61	14115554	HEAD GROUND CABLE A ASM.				2.00
62	SM4041050TP	SCREW				1.00
63	G5453161000	CABLE BAND				1.00
64	40096868	COMPLETE_NAME_LABEL_AC172N1790 V				1.00
65	40112895	PLATE A				1.00
66	40112896	PLATE B				1.00
67	SL6062092TN	SCREW M6 L=20				4.00
68	SM1062052TP	SCREW M6 L=20				4.00
69	40114201	DUCT_D				2.00

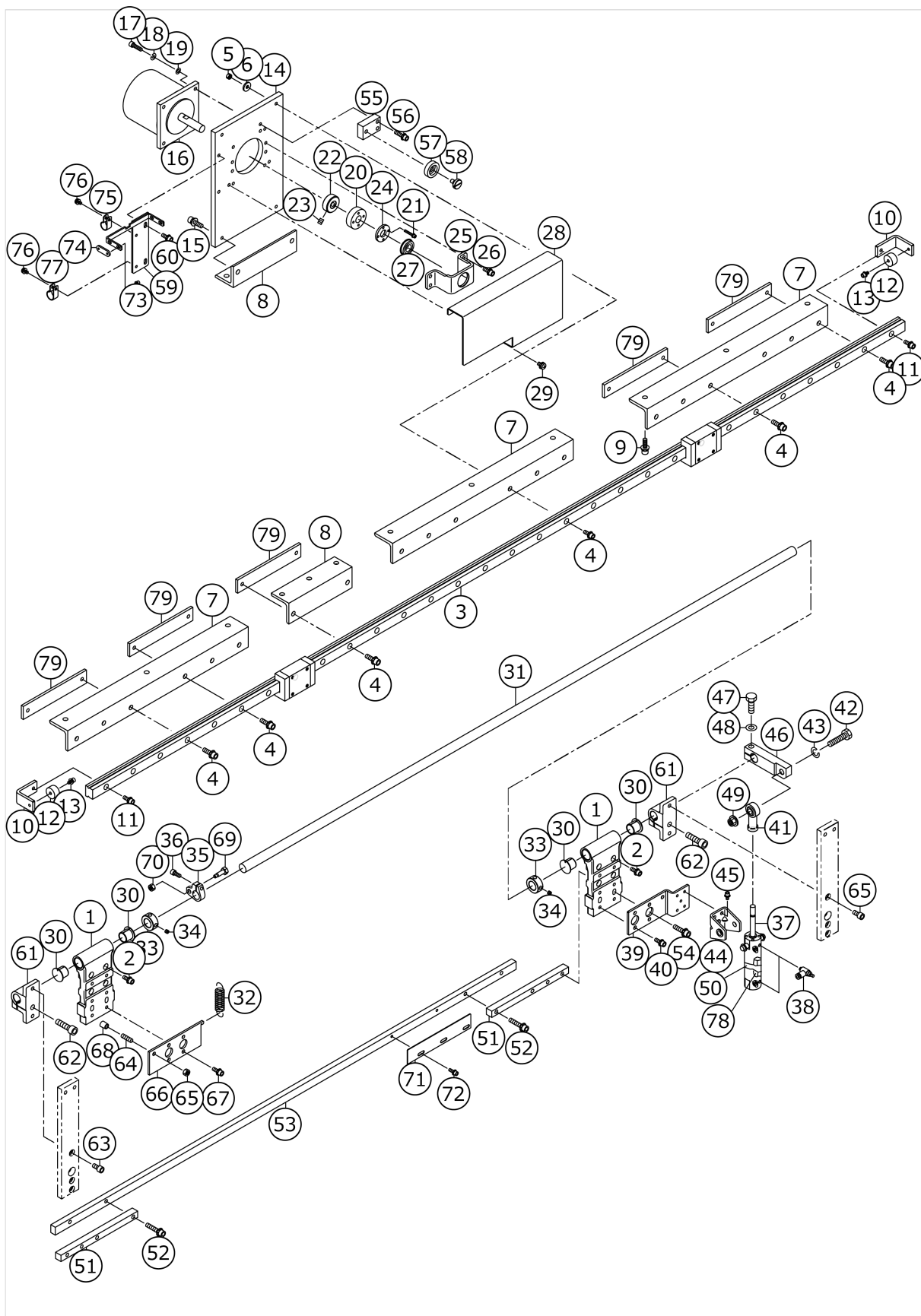
# FRAME & MECHANISM COVER COMPONENTS (2)



No.	品番	品名	備考	子部品	消耗品	個数
1	40097632	SIDE COVER				2.00
2	SL6061692TN	BOLT				16.00
3	40097849	SIDE PLATE CONNECTING PLATE				2.00
4	SL6051492TN	BOLT				12.00
5	40097633	SIDE COVER SUPPORT				4.00
6	SL6062092TN	SCREW M6 L=20				8.00
7	40112596	UPPER COVER				1.00
8	SM0040601SA	SCREW				9.00
9	G5015172000	FRONT COVER TOP				1.00
10	SM0040601SA	SCREW				5.00
11	G5016172000	FRONT COVER BOTTOM				1.00
12	SM0040601SA	SCREW				4.00
13	G5017172000	LEFT COVER				1.00
14	SM0040601SA	SCREW				5.00
15	40003458	MASK SEAL				1.00
16	G5018172000	RIGHT COVER LARGE				1.00
17	SM0040601SA	SCREW				3.00
18	SM0060801SA	SCREW				2.00
19	40099159	RIGHT COVER				1.00
20	SM0030601SA	SCREW M3X0.5 L=6				2.00
21	G5025172000	RIGHT COVER SUPPORT SMALL				1.00
22	G5034171000	COVER SUPPORT				6.00
23	G5016162000	STOPPER PLATE				2.00
24	SL6040892TN	BOLT				18.00
25	40015612	SWITCH_BASE				1.00
26	SL6040892TN	BOLT				2.00
27	HX00150000K	CABLE CLIP				5.00
28	SL4041081SC	SCREW M4 L=10				1.00
29	G5026172000	EMERGENCY SWITCH FITTING PLATE				1.00
30	SL6041092TN	SCREW				2.00
31	G5026162000	HOOK				1.00
32	40099476	RIGHT_COVER_2				1.00
33	SM0030601SA	SCREW M3X0.5 L=6				3.00
34	G5013172000	CLOTH SENSOR FITTING PLATE				2.00
35	SM1031001SC	SCREW M3X0.5 L=10				4.00
36	WS0310002KN	SPRING WASHER M3				4.00
37	WP0320501SC	WASHER M3				8.00
38	NM6030001SC	NUT M3				4.00
39	SL4030681SC	SCREW M3 L=6				4.00
40	G5027172000	SMALL CASTINGS CASE SUPPORT				1.00
41	SM4041401SC	SCREW M4X0.7 L=14				2.00
42	NM6040001SC	NUT M4				2.00
43	11156007	CASE				1.00
44	11155801	CASE MAGNET				1.00
45	40016845	CLOTH DETECT SENSOR ASSY				1.00
46	HX001500000	CLIP				5.00
47	HX00150000B	CABLE CLIP				13.00
48	HX00150000D	CABLE CLIP				17.00
49	HX00150000F	CABLE CLIP				3.00
50	HX00150000H	CABLE CLIP				5.00

51	NM6030001SC	NUT M3X0.5 TYPE1				3.00
52	EA9500B0100	CABLE BAND				51.00
53	EA9500B0200	CABLE BAND 150				25.00
54	HX00150000B	CABLE CLIP				5.00
55	SL4040891SC	SCREW M4 L=8				32.00
56	HX001500000	CLIP				2.00
57	SM1031001SC	SCREW M3X0.5 L=10				2.00
58	WS0310002KN	SPRING WASHER M3				2.00
59	WP0320501SC	WASHER M3				2.00
60	NM6030001SC	NUT M3				2.00
61	SM0040601SA	SCREW				2.00
62	40015562	PAUSE SWITCH ASSY				1.00
63	HA004290010	SWITCH COVER				1.00
64	G5217172000	CLOTH PRESSER PLATE				1.00
65	SL6040892TN	BOLT				3.00
66	G5212172000	PUSHER CUSHION				1.00
67	G5136172000	BLOW PIPE				1.00
68	SM8050812TP	SCREW M5X8				1.00
69	PJ032059008	NIPPLE				1.00
70	PJ303060001	STRAIGHT UNION				1.00
71	PC012601000	SPEED CONTROLLER				1.00
72	HX001500000	CLIP				1.00
73	SL4040881SC	SCREW M4 L=8				1.00
74	40095627	WASHER A				4.00
75	40095628	WASHER B				4.00
76	HA005820000	SWITCH				1.00
77	40017092	AC POWER CORD 1P ASSY	FOR 1-PHASE			1.00
78	40017091	AC POWER CORD 3P ASSY	FOR 3-PHASE			1.00
79	40016853	SENSOR JOINT CORD B ASSY				1.00
80	40085613	SENSOR JOINT CORD A ASSY				1.00
81	SL6040892TN	BOLT				2.00
82	SL4041091SC	SCREW M4 L=10				3.00
83	HX00150000K	CABLE CLIP				2.00
84	CM300300003	HIGH TEMPARATURE CAUTION LABEL 2 (31.5)				1.00
85	SM4040601SC	SCREW M4X0.7 L=6				5.00
86	WP0430801SC	WASHER M4				5.00

# FEED BODY COMPONENTS (1)

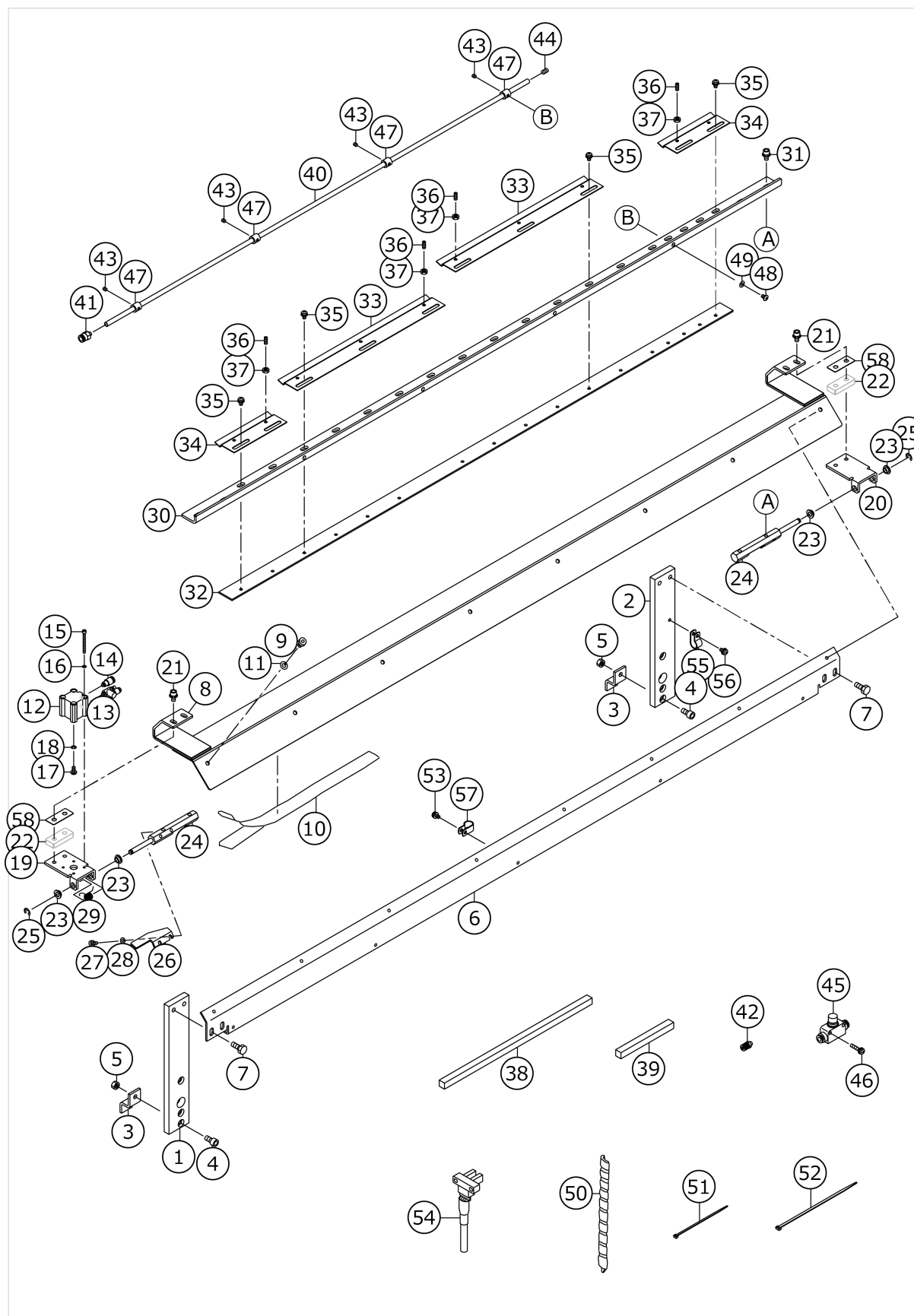


No.	品番	品名	備考	子部品	消耗品	個数
1	G5101172000	FEED BODY				2.00
2	SL6051442TN	BOLT				8.00
3	G5010164000	FEED RAIL				1.00
4	SL6052042TN	SCREW				21.00
5	NM6050001SC	NUT M5				4.00
6	WP0522016SH	WASHER				4.00
7	40093358	FEED RAIL SUPPORT L				3.00
8	40093359	FEED RAIL SUPPORT				2.00
9	SL6062092TN	SCREW M6 L=20				13.00
10	G5105172000	FITTING PLATE				2.00
11	SL6051442TN	BOLT				2.00
12	G5009172000	STOPPER RUBBER				2.00
13	SL6040842TN	SCREW M4 L=8				2.00
14	40012545	MOTOR_BASE_PLATE				1.00
15	SL6051492TN	BOLT				2.00
16	40085618	CARRIER MOTOR				1.00
17	SM6051802TP	SCREW M5 L=18				4.00
18	WS0510002KN	SPRING WASHER				4.00
19	WP0531001SC	WASHER				4.00
20	40012547	GEAR				1.00
21	SL6032092TN	BOLT				4.00
22	40012546	GEAR_BOSS				1.00
23	SM8060802TP	SCREW M6 L=8				2.00
24	40012548	GEAR_PLATE				1.00
25	40012529	BEARING_BASE				1.00
26	SL6051492TN	BOLT				4.00
27	SB112001100	BEARING				1.00
28	G5139172000	FEED MECHANISM COVER				1.00
29	SL4051091SC	SCREW M5X0.8 L=10				2.00
30	G5112172000	FEED BODY FALLING SHAFT HOLDER				4.00
31	G5113172000	FEED BODY FALLING SHAFT				1.00
32	40020109	CLAMP_TABLE_SPRING				1.00
33	CS1501181TP	THRUST COLLAR D=15 W=11				2.00
34	SM8050412TP	SCREW M5 L=4				4.00
35	11206505	FEED DRIVING LINK				1.00
36	SS6121212TP	SCREW 3/16-28 L=12.0				1.00
37	PA200251500	AIR CYLINDER (DIA20-25ST)				1.00
38	PC010508000	SPEED CONTROLLER				2.00
39	G5114172000	FALLING CYLINDER SUPPORT				1.00
40	SL6051492TN	BOLT				4.00
41	G5606116000	CYLINDER ROD END				1.00
42	SM9083503SC	SCREW M8 L=35				1.00
43	WS0820002KN	SPRING WASHER M8				1.00
44	PA900041000	CYLINDER BRACKET				1.00
45	SL6040892TN	BOLT				4.00
46	G5115172000	ROCKING ARM				1.00
47	SM9082503SE	HEXAGONAL HEADED BOLT				1.00
48	WP0841601SC	WASHER 8.4X17.4X1.6				1.00
49	G5238171000	NUT				1.00
50	PX906003000	SWITCH CLAMP (DIA20)				1.00



51	G5106172000	RACK FIXING ROD				2.00
52	SL6063092TN	SCREW M6 L=30				4.00
53	G5107172000	RACK				1.00
54	SL6062592TN	SCREW				4.00
55	G5110172000	RACK HOLDER FITTING PLATE				1.00
56	SL6052092TN	SCREW				2.00
57	G5111172000	RACK HOLDER				1.00
58	G5150162000	SCREW				1.00
59	G5108172000	FITTING PLATE				1.00
60	SL6051492TN	BOLT				2.00
61	G5116172000	STUD BRACKET				2.00
62	SM6083002TP	SCREW M8 L=30				2.00
63	SM6061202TP	SCREW M6 L=12				4.00
64	SM8062012TP	SCREW M6 L=20				2.00
65	NM6060003SC	NUT M6				2.00
66	G5120172000	STUD STOPPER FITTING PLATE				1.00
67	SL6051492TN	BOLT				4.00
68	G5138161000	RUBBER CAP				2.00
69	G5121172000	SPRING HOOK				1.00
70	NM6060003SC	NUT M6				1.00
71	G5102164000	ORIGINAL POINT SENSOR PLATE				1.00
72	SL6041292TN	SCREW				2.00
73	SL6031642TN	SCREW				2.00
74	G5153171000	SENSOR PLATE				1.00
75	HX00150000E	CORD PRESSER 3-POLE (220/240V)				3.00
76	SL4040891SC	SCREW M4 L=8				2.00
77	HX00150000F	CABLE CLIP				1.00
78	40016849	CARRIER MOV CYL SW ASSY				1.00
79	40097687	RAIL FIXING NUT				5.00

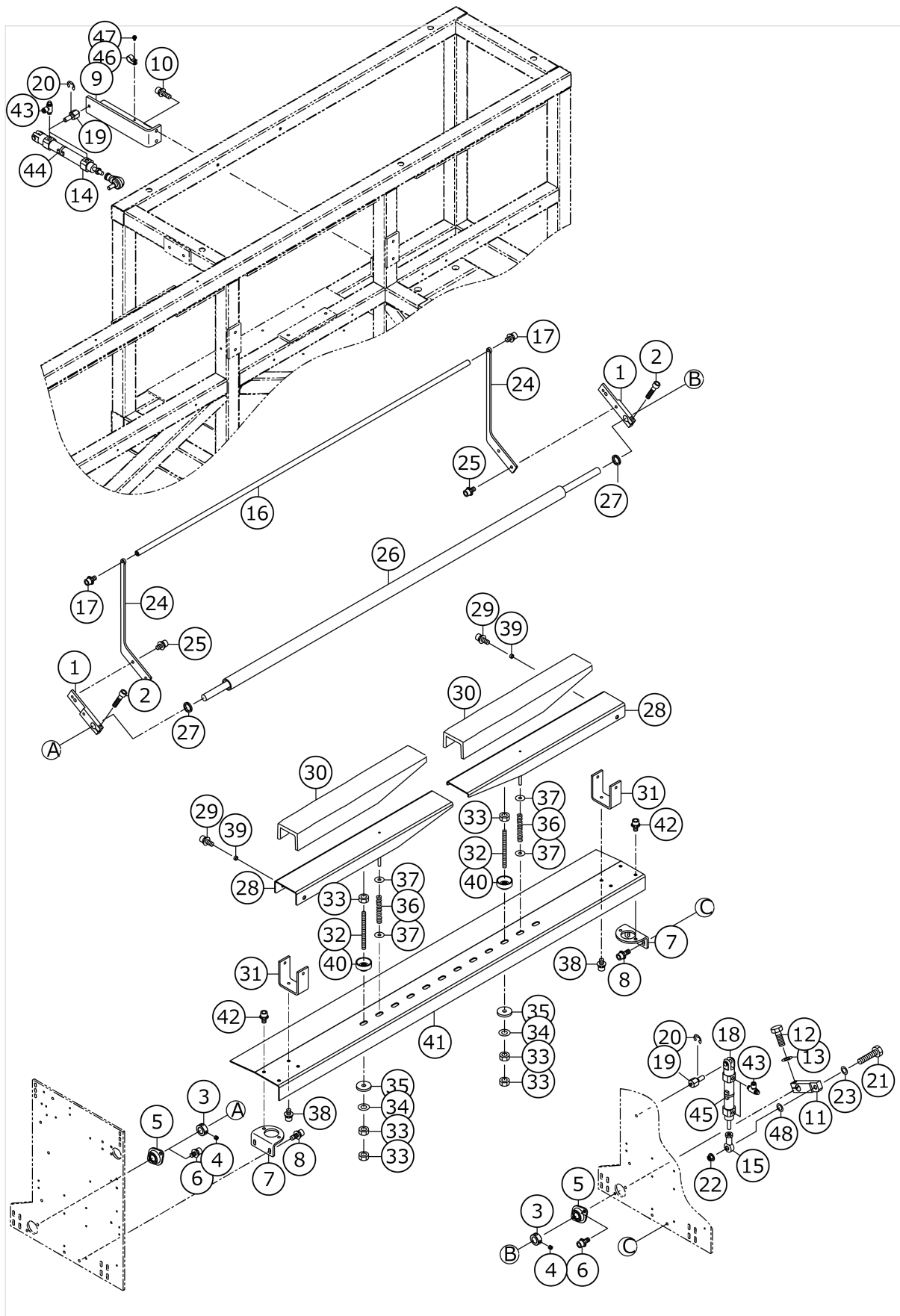
# FEED BODY COMPONENTS (2)



No.	品番	品名	備考	子部品	消耗品	個数
1	G5117172000	STUD LEFT				1.00
2	40093178	STUD_R				1.00
3	G5119172000	STUD STOPPER				2.00
4	SM6061202TP	SCREW M6 L=12				2.00
5	NM6060003SC	NUT M6				2.00
6	40093295	CLAMP TABLE SUPPORT				1.00
7	SL9061693SE	WASHER HEXAGONAL BOLT M6 L=16				4.00
8	40093179	CLAMP TABLE				1.00
9	G5144162000	SCREW				8.00
10	G5138172000	CLAMP TABLE LINER				1.00
11	WS0410002KN	SPRING WASHER				8.00
12	PA160100500	AIR CYLINDER				1.00
13	PC010519000	SPEED CONTROLLER				1.00
14	PJ301040502	HALF UNION 4XM5				1.00
15	SM6033052TP	SCREW				4.00
16	WS0310002KN	SPRING WASHER M3				4.00
17	SM4040801SN	SCREW M4 L=8				1.00
18	WS0410002KN	SPRING WASHER				1.00
19	G5124172000	HOLDING PLATE LEFT				1.00
20	G5125172000	HOLDING PLATE RIGHT				1.00
21	SL6051292TN	BOLT				4.00
22	40107710	SPACER_A				2.00
23	G5126172000	CLAMP SHAFT HOLDER				4.00
24	40109423	CLAMP_SHAFT				2.00
25	RE0500000K0	E-RING				2.00
26	G5128172000	CLAMP SHAFT ARM				1.00
27	G5144162000	SCREW				2.00
28	WP0430801SC	WASHER 4.3X9X0.8				2.00
29	G5129172000	CLAMP SPRING				1.00
30	G5130172000	CLAMP FITTING BASE				1.00
31	SL6051092TN	BOLT				4.00
32	G5131172000	CLAMP FITTING NUT				1.00
33	G5132172000	CLAMP LARGE				2.00
34	G5133172000	CLAMP SMALL				2.00
35	SL4040891SC	SCREW M4 L=8				13.00
36	SM8041012TP	SCREW M4 L=10				10.00
37	NM6040003SC	NUT M4				10.00
38	G5134172000	CLAMP CUSHION LARGE				2.00
39	G5135172000	CLAMP CUSHION SMALL				2.00
40	G5136172000	BLOW PIPE				1.00
41	PJ301060503	HALF UNION				1.00
42	PJ032059008	NIPPLE				1.00
43	SM8040402TP	SCREW M4X0.7 L=4				4.00
44	SM8050812TP	SCREW M5X8				1.00
45	PC012601000	SPEED CONTROLLER				1.00
46	SL4042081SC	SCREW				1.00
47	G5137172000	BLOW PIPE HOLDER				4.00
48	SM0040601SA	SCREW				4.00
49	WP0430801SC	WASHER 4.3X9X0.8				4.00
50	G5454161000	SPIRAL TUBE				2.00

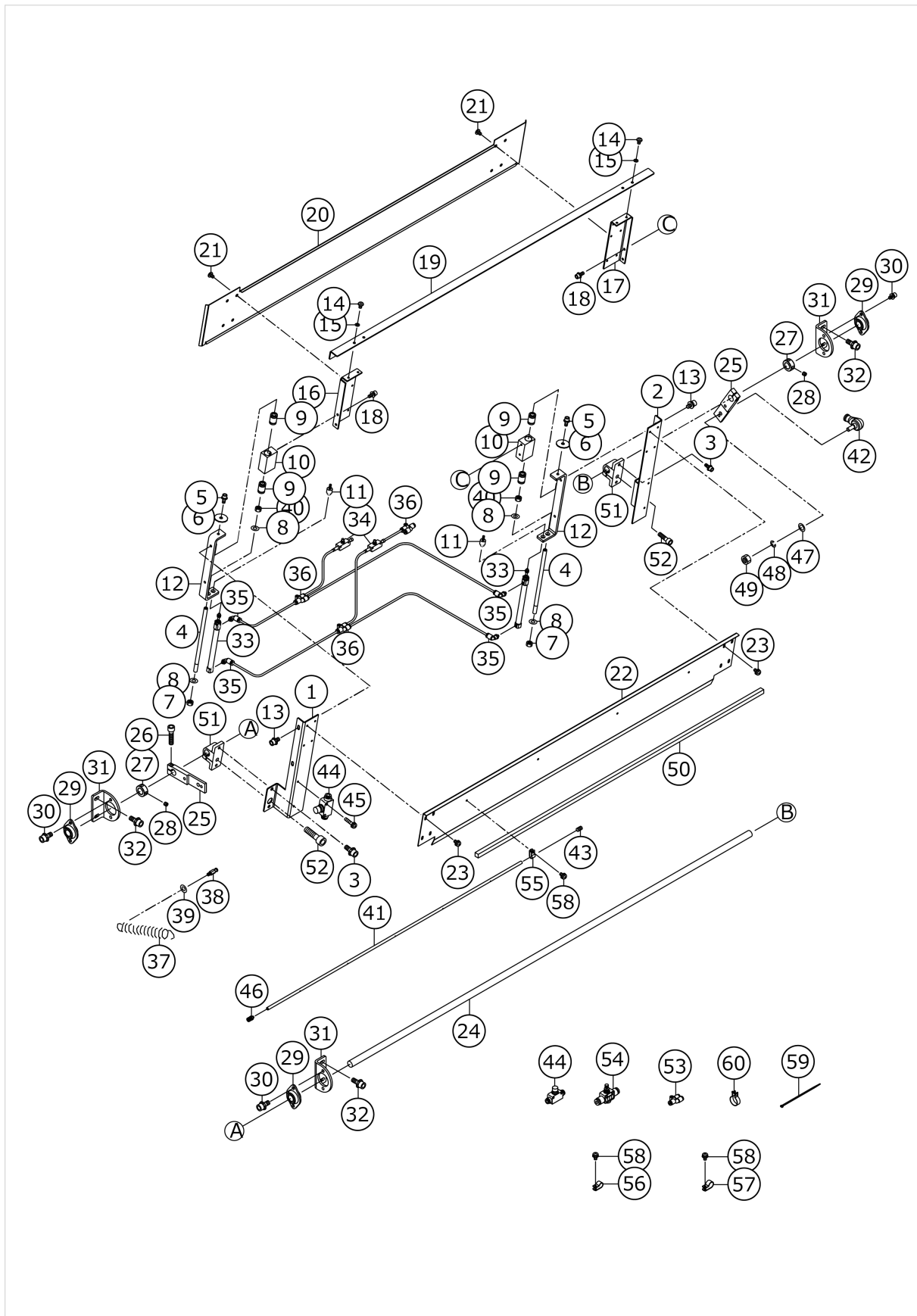
51	EA9500B0100	CABLE BAND				6.00
52	EA9500B0200	CABLE BAND 150				1.00
53	SL4040891SC	SCREW M4 L=8				5.00
54	40016842	CARRIER ORG SENSOR ASSY				1.00
55	HX00150000E	CORD PRESSER 3-POLE (220/240V)				1.00
56	SL4040891SC	SCREW M4 L=8				1.00
57	HX00150000E	CORD PRESSER 3-POLE (220/240V)				5.00
58	40107711	SPACER_B				2.00

# STACKER COMPONENTS (1)



No.	品番	品名	備考	子部品	消耗品	個数
1	40016101	STACKER_SHAFT_ARM				2.00
2	SM6062502TP	SCREW M6 L=25				2.00
3	CS1501181TP	THRUST COLLAR D=15 W=11				2.00
4	SM8050412TP	SCREW M5 L=4				4.00
5	G5239171000	FLANGE				2.00
6	SL6061292TN	SCREW				4.00
7	G5214172000	ROCKING HOLDER SHAFT BASE				2.00
8	SL6061692TN	BOLT				4.00
9	G52151720A0	PUSHER ROCKING CYLINDER BASE				1.00
10	SL6062092TN	SCREW M6 L=20				2.00
11	G5115172000	ROCKING ARM				1.00
12	SM9082503SE	HEXAGONAL HEADED BOLT				1.00
13	WP0841601SC	WASHER 8.4X17.4X1.6				1.00
14	PA2007508A0	AIR CYLINDER				1.00
15	G5606116000	CYLINDER ROD END				1.00
16	G5218172000	SWING BAR				1.00
17	SL6061292TN	SCREW				2.00
18	PA2005015A0	AIR CYLINDER				1.00
19	G5216172000	ROCKING FULCRUM SHAFT				2.00
20	RE0700000K0	E-RING 7				2.00
21	SM9083503SC	SCREW M8 L=35				1.00
22	G5238171000	NUT				1.00
23	WP0841601SC	WASHER 8.4X17.4X1.6				1.00
24	G5219172000	SWING BAR ARM				2.00
25	SL6061292TN	SCREW				4.00
26	G5220172000	SWING BAR SHAFT SPACER				1.00
27	HX00055000C	CABLE CLIP				2.00
28	G52211720A0	CLOTH PILING TABLE				2.00
29	SL6061292TN	SCREW				4.00
30	G5222172000	CUSHION				2.00
31	G5223172000	CLOTH PILING TABLE SUPPORT				2.00
32	G5224172000	CLOTH PILING SUPPORT BOLT				2.00
33	NM6080003SC	NUT M8				6.00
34	WP0841601SC	WASHER 8.4X17.4X1.6				2.00
35	MTJMGC00000	RUBBER CUSHION				2.00
36	B1505040000	PRESSER SPRING				2.00
37	WP0651646SC	WASHER				4.00
38	SL6061292TN	SCREW				4.00
39	B1504761A00	ROLLER COLLAR (A)				4.00
40	G5225172000	CLOTH PILING TABLE ROCK NUT				2.00
41	G5226172000	CLOTH PILING TABLE HOLDER				1.00
42	SL6061292TN	SCREW				4.00
43	PC015108000	SPEED CONTROLLER				4.00
44	40016850	STACKER CNT CYL SW ASSY				1.00
45	40016851	STACKER2 CYL SW ASSY				1.00
46	HX00150000E	CORD PRESSER 3-POLE (220/240V)				1.00
47	SL4040881SC	SCREW M4 L=8				1.00
48	WS0820002KN	SPRING WASHER M8				1.00

# STACKER COMPONENTS (2)

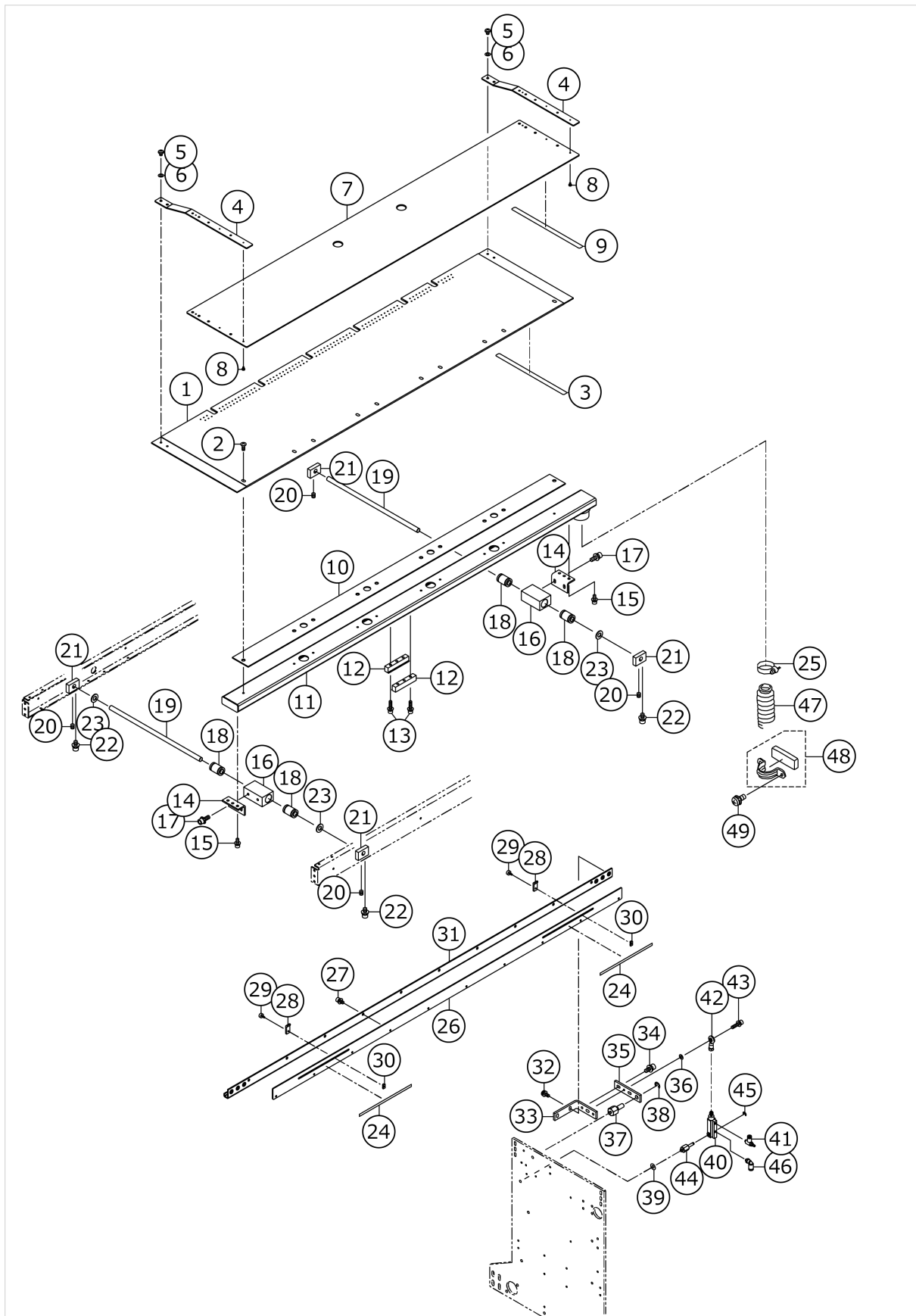


No.	品番	品名	備考	子部品	消耗品	個数
1	G5201172000	PUSHER STUD LEFT				1.00
2	G5202172000	PUSHER STUD RIGHT				1.00
3	SL6061692TN	BOLT				4.00
4	G5204172000	PUSHER SHAFT				2.00
5	SL6041042TN	BOLT				2.00
6	WP0451016SP	WASHER 4.5X20X1				2.00
7	NM6080001SC	NUT M8X1.25				2.00
8	WP0841600SE	WASHER 8.4X15.5X1.6				4.00
9	SB708000100	BEARING				4.00
10	G5205172000	PUSHER SHAFT HOLDING BOX				2.00
11	PA900024000	FLOATING JOINT A				2.00
12	G5203172000	PUSHER SHAFT BASE				2.00
13	SL6051092TN	BOLT				4.00
14	G5144162000	SCREW				8.00
15	WP0430801SC	WASHER 4.3X9X0.8				8.00
16	G5207172000	PUSHER PLATE LEFT				1.00
17	G5208172000	PUSHER PLATE RIGHT				1.00
18	SL6041092TN	SCREW				4.00
19	G5209172000	PUSHER				1.00
20	G5210172000	PUSHER COVER				1.00
21	SM0040601SA	SCREW				8.00
22	G5211172000	PUSHER STAY				1.00
23	SL4040691SC	SCREW M4 L=6				8.00
24	G5213172000	PUSHER ROCKING SHAFT				2.00
25	40016101	STACKER_SHAFT_ARM				2.00
26	SM6062502TP	SCREW M6 L=25				2.00
27	CS1501181TP	THRUST COLLAR D=15 W=11				2.00
28	SM8050412TP	SCREW M5 L=4				4.00
29	G5239171000	FLANGE				3.00
30	SL6061292TN	SCREW				6.00
31	G5214172000	ROCKING HOLDER SHAFT BASE				3.00
32	SL6061692TN	BOLT				6.00
33	PA1008501A0	AIR CYLINDER (DIA10-85ST)				2.00
34	PC012401000	SPEED CONTROLLER				2.00
35	PJ304040504	ELBOW UNION				4.00
36	PJ308040002	QUICK COUPLING				3.00
37	40105662	SPRING				1.00
38	40105663	SPRING_HOOK				2.00
39	WP0641601SC	WASHER				2.00
40	NM6080003SC	NUT M8				2.00
41	G5136172000	BLOW PIPE				2.00
42	G5204171000	LINK BOLL				1.00
43	SM8050812TP	SCREW M5X8				2.00
44	PC012601000	SPEED CONTROLLER				2.00
45	SL4032081SC	SCREW M3 L=20				1.00
46	PJ032059008	NIPPLE				2.00
47	WP0841601SC	WASHER 8.4X17.4X1.6				1.00
48	WS0820002KN	SPRING WASHER M8				1.00
49	NM6080001SC	NUT M8X1.25				1.00
50	G5212172000	PUSHER CUSHION				1.00



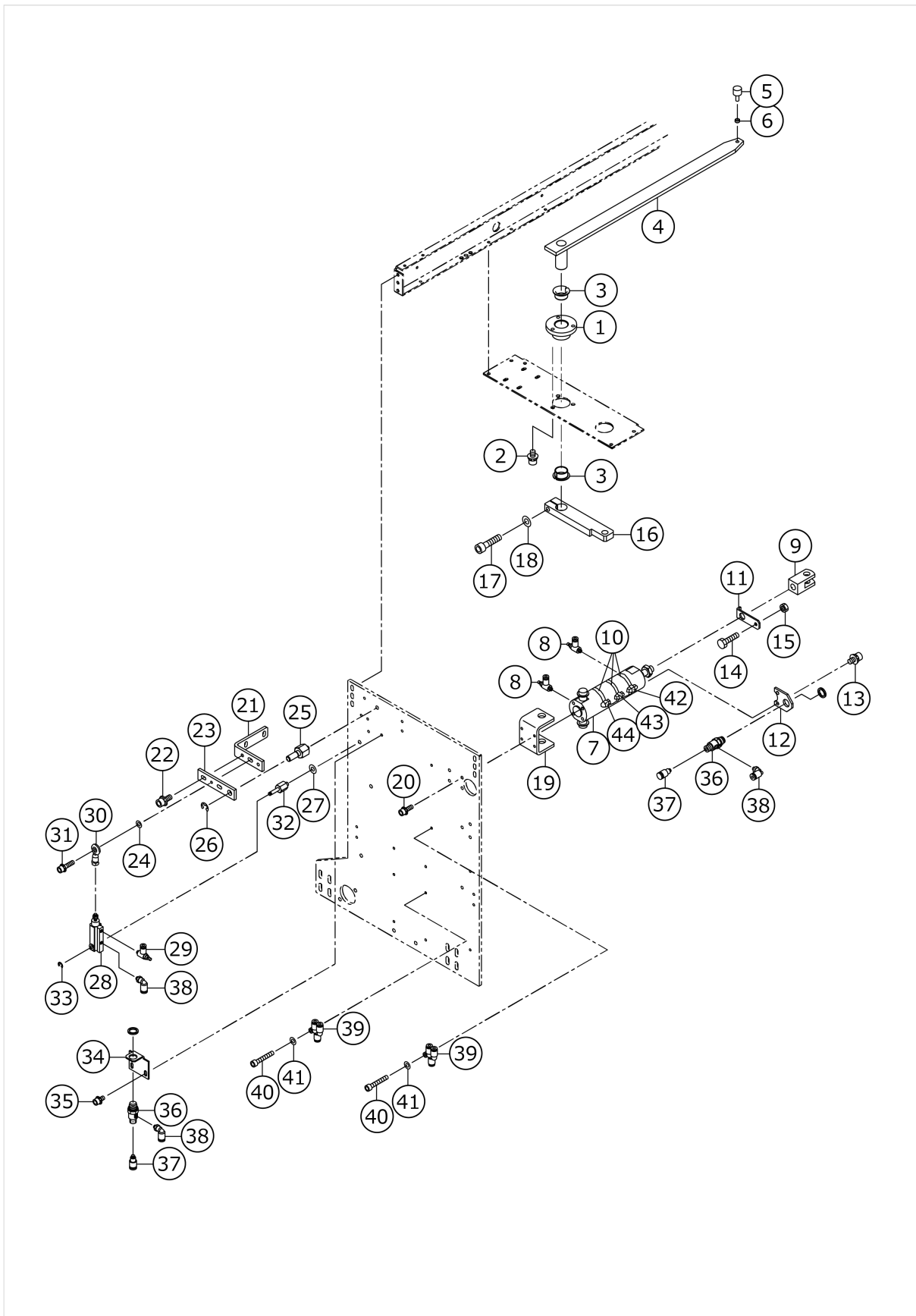
51	G5116172000	STUD BRACKET				2.00
52	SM6083002TN	SCREW M8 L=30				2.00
53	PJ308040002	QUICK COUPLING				1.00
54	PC012401000	SPEED CONTROLLER				1.00
55	HX00150000B	CABLE CLIP				5.00
56	HX00150000D	CABLE CLIP				1.00
57	HX00150000F	CABLE CLIP				1.00
58	SL4040881SC	SCREW M4 L=8				7.00
59	EA9500B0200	CABLE BAND 150				2.00
60	PA900046000	SENSOR BAND				2.00

# PRESET COMPONENTS (1)



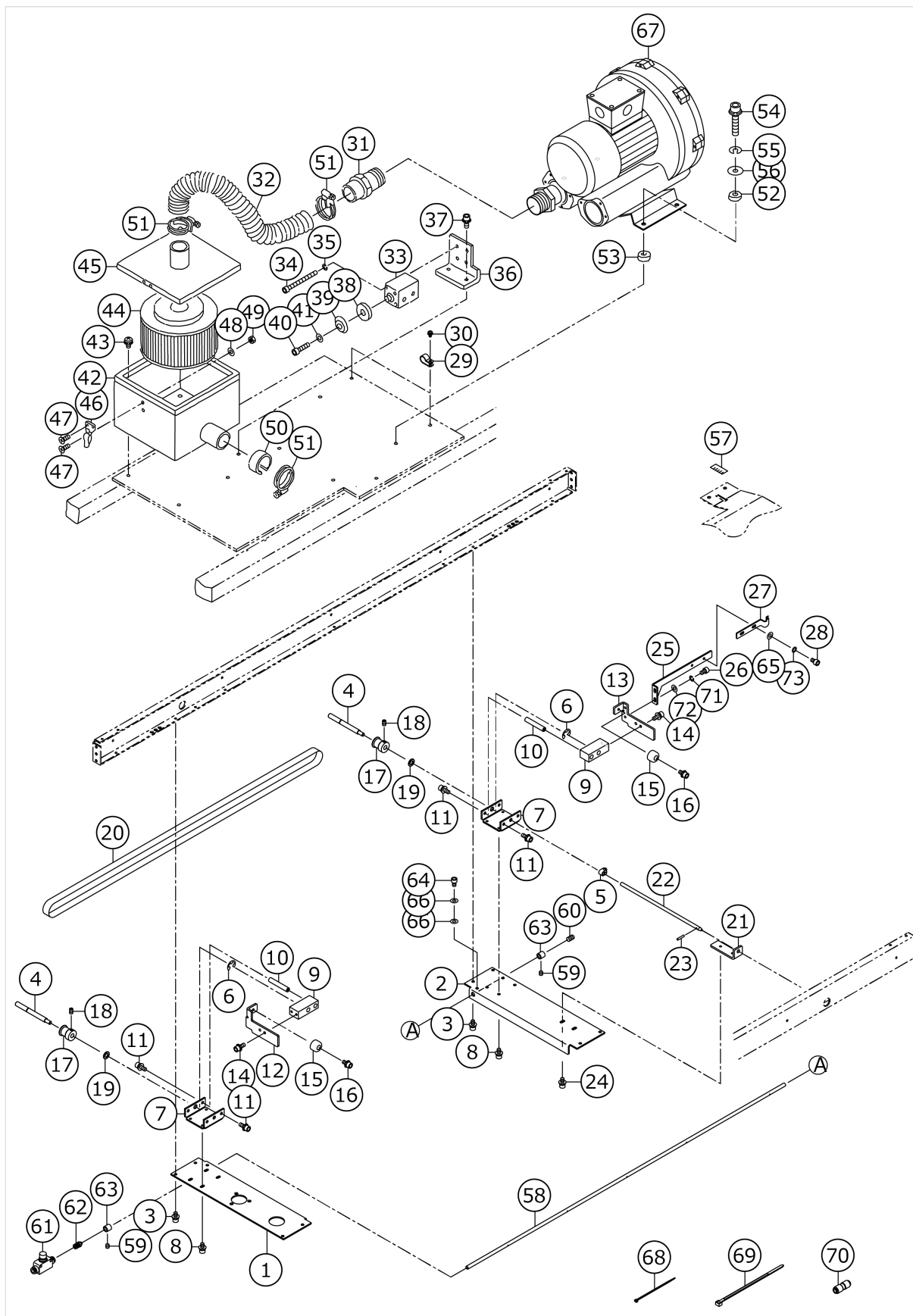
No.	品番	品名	備考	子部品	消耗品	個数
1	40093181	PRESET TABLE				1.00
2	SM0041001SC	SCREW M4 L=10				10.00
3	G5302172000	PRESET TABLE LINER				5.00
4	40111979	PRESET PLATE SUPPORT				2.00
5	SM4040501SN	SCREW M4X0.7 L=5				4.00
6	WP0430801SC	WASHER 4.3X9X0.8				4.00
7	G5304172000	AUXILIARY PRESET PLATE				1.00
8	SM6020350SP	SCREW M2 L=2.5				6.00
9	G5305172000	AUXILIARY PRESET LINER				5.00
10	G5306172000	PRESET PACKING				1.00
11	G53071720A0	PRESET FITTING PLATE				1.00
12	G5308172000	CAM FOLLOWER RAIL				2.00
13	SL6041642TN	SCREW				6.00
14	G5309172000	SHAFT HOLDING BOX SUPPORT				2.00
15	SL6041092TN	SCREW				6.00
16	G5310172000	SLIDE SHAFT HOLDING BOX				2.00
17	SL6051492TN	BOLT				4.00
18	SB710000200	SLIDE BEARING				4.00
19	G5311172000	SLIDE SHAFT				2.00
20	SM8050602TP	SCREW M5 L=6				4.00
21	G5312172000	SLIDE SHAFT SUPPORT				4.00
22	SL6051092TN	BOLT				8.00
23	G5313172000	SLIDE SHAFT RUBBER				4.00
24	G5352171000	MEMORY RIGHT				2.00
25	G5176136000	HOSE BAND				1.00
26	40093180	SET PLATE				1.00
27	SL6040642TN	BOLT				10.00
28	40093297	GAUGE				2.00
29	G6010003000	KNOB SCREW				2.00
30	G5810172000	GAUGE NUT				2.00
31	G5335172000	SET PLATE SUPPORT				1.00
32	SL6041092TN	SCREW				4.00
33	G5336172000	SET PLATE SUPPORT ARM				1.00
34	SL6051292TN	BOLT				2.00
35	G5337172000	SET PLATE FULCRUM ARM				1.00
36	WP0430800SC	WASHER M4				1.00
37	G5216172000	ROCKING FULCRUM SHAFT				1.00
38	RE0700000K0	E-RING 7				1.00
39	WP0621016SH	WASHER				1.00
40	PA1001016A0	AIR CYLINDER (DIA10-10ST)				1.00
41	PC010508000	SPEED CONTROLLER				1.00
42	16556300	ROD END				1.00
43	SL6041642TN	SCREW				1.00
44	G5338172000	SET PLATE CYLINDER SHAFT				1.00
45	RE0300000K0	E-RING 3				1.00
46	PJ304040504	ELBOW UNION				1.00
47	G5343172000	VACUUM HOSE A				1.00
48	G53461720A0	HOSE HOLDER ASM.				1.00
49	SL4041091SC	SCREW M4 L=10				2.00

# PRESET COMPONENTS (2)



No.	品番	品名	備考	子部品	消耗品	個数
1	G5314172000	PRESET SHAFT HOLDING BOX				1.00
2	SL6051092TN	BOLT				3.00
3	G5315172000	PRESET SHAFT HOLDER				2.00
4	40096949	PRESET ARM ASM.				1.00
5	13741806	CHANGE-OVER ROLLER				1.00
6	11041100	ROLLER				1.00
7	PA320500200	AIR CYLINDER (DIA32-50ST)				1.00
8	PC015108000	SPEED CONTROLLER				2.00
9	PA900042000	KNUCKLE JOINT				1.00
10	PX906004000	SWITCH CLAMP (DIA32)				3.00
11	G5341172000	RETURN VALVE DOG				1.00
12	G5342172000	RETURN VALVE FITTING PLATE				1.00
13	SL6051092TN	BOLT				2.00
14	SM9052003SC	SCREW M5 L=20				1.00
15	NM6050003SC	NUT M5X0.8				1.00
16	G5317172000	PRESET CYLINDER ARM				1.00
17	SM6062502TP	SCREW M6 L=25				1.00
18	WP0641601SC	WASHER				1.00
19	G5318172000	PRESET CYLINDER BASE				1.00
20	SL6041292TN	SCREW				4.00
21	G5336172000	SET PLATE SUPPORT ARM				1.00
22	SL6051292TN	BOLT				2.00
23	G5337172000	SET PLATE FULCRUM ARM				1.00
24	WP0430800SC	WASHER M4				1.00
25	G5216172000	ROCKING FULCRUM SHAFT				1.00
26	RE0700000K0	E-RING 7				1.00
27	WP0621016SH	WASHER				1.00
28	PA1001016A0	AIR CYLINDER (DIA10-10ST)				1.00
29	PC010508000	SPEED CONTROLLER				1.00
30	16556300	ROD END				1.00
31	SL6041642TN	SCREW				1.00
32	G5338172000	SET PLATE CYLINDER SHAFT				1.00
33	RE0300000K0	E-RING 3				1.00
34	GMC16007000	START VALVE FITTING PLATE				1.00
35	SL6040892TN	BOLT				2.00
36	PV010503000	VALVE				2.00
37	PJ301040502	HALF UNION 4XM5				4.00
38	PJ304040504	ELBOW UNION				3.00
39	PJ308040002	QUICK COUPLING				3.00
40	SM6042502TP	SCREW M4X0.7 L=25				2.00
41	WP0430801SC	WASHER 4.3X9X0.8				2.00
42	40016846	PRESET CYL FWD SW ASSY				1.00
43	40016847	PRESET CYL MID SW ASSY				1.00
44	40016848	PRESET CYL BKWD SW ASSY				1.00

# PRESET COMPONENTS (3)



No.	品番	品名	備考	子部品	消耗品	個数
1	G5319172000	HOLDING BASE LEFT				1.00
2	G5320172000	HOLDING BASE RIGHT				1.00
3	SL6040892TN	BOLT				8.00
4	G5322172000	PRESET ADJUSTING SHAFT				2.00
5	B25198500A0	LOOPER CONNECTING ROD TRUST ASM.				1.00
6	RE0600000K0	E-RING 6				2.00
7	G5321172000A	PRESET ADJUSTING SHAFT HOLDER				2.00
8	SL6040892TN	BOLT				8.00
9	G5323172000	PRESET ADJUSTING NUT				2.00
10	G5324172000A	PRESET ADJUSTING NUT GUIDE				2.00
11	SL6041092TN	SCREW				4.00
12	G5325172000	PRESET STOPPER LEFT				1.00
13	G5326172000	PRESET STOPPER RIGHT				1.00
14	SL6041092TN	SCREW				4.00
15	G5009172000	STOPPER RUBBER				2.00
16	SL6040842TN	SCREW M4 L=8				2.00
17	G5327172000	PRESET ADJUSTING PULLEY				2.00
18	SM8040602TP	SCREW M4X0.7 L=6				4.00
19	G5328172000	PULLEY SPACER				2.00
20	G5329172000	PRESET ADJUSTING BELT				1.00
21	G5330172000	EXTENSION SHAFT SUPPORT				1.00
22	G5331172000	ADJUSTING EXTENSION SHAFT				1.00
23	PS0300162KH	SPRING PIN 3X16				1.00
24	SL6040892TN	BOLT				2.00
25	G5332172000	PRESET CHARACTERISTIC SUPPORT				1.00
26	SM6040602TN	BOLT				2.00
27	G5333172000	PRESET CHARACTERISTIC				1.00
28	SM6040602TN	BOLT				2.00
29	HX00150000E	CORD PRESSER 3-POLE (220/240V)				2.00
30	SL4040881SC	SCREW M4 L=8				2.00
31	G5345172000	BLOWER JOINT				1.00
32	G5344172000	VACUUM HOSE B				1.00
33	PA160100500	AIR CYLINDER				1.00
34	SM6033052TP	SCREW				4.00
35	WS0310002KN	SPRING WASHER M3				4.00
36	40036409	VACUUM_CHANGE_CYLINDER_BRACKET				1.00
37	SL6041092TN	SCREW				2.00
38	40040251	CYLINDER_BOSS				1.00
39	40111562	STOPPER_RUBBER				1.00
40	SM6043552TN	SCREW M4 L=35				1.00
41	WP0451016SP	WASHER 4.5X20X1				1.00
42	40093408	ASSY_FILTER_BOX				1.00
43	SL4040891SC	SCREW M4 L=8				4.00
44	GMC10004000	FILTER ELEMENT				1.00
45	GMC100050A0	TOP COVER ASM.				1.00
46	GMC10007000	METAL FITTINGS				2.00
47	SM1030801SC	SCREW M3 L=8				8.00
48	WP0320501SC	WASHER M3				4.00
49	NM6030001SC	NUT M3				4.00
50	G5171136000	VACUUM CONTROL PLATE				1.00

51	G5176136000	HOSE BAND				3.00
52	B4420373000	CUSHION				4.00
53	B1123205000	RUBBER PAD				4.00
54	SM6063002TN	SCREW M6 L=30				4.00
55	WS0610002KN	SPRING WASHER 6.1X12.2X1.5				4.00
56	WP0651646SC	WASHER				4.00
57	G5309164000	SCALE				1.00
58	G5136172000	BLOW PIPE				1.00
59	SM8040402TP	SCREW M4X0.7 L=4				2.00
60	SM8050812TP	SCREW M5X8				1.00
61	PC012601000	SPEED CONTROLLER				1.00
62	PJ032059008	NIPPLE				1.00
63	G5137172000	BLOW PIPE HOLDER				2.00
64	SM6040602TN	BOLT				2.00
65	WP0430801SC	WASHER M4				2.00
66	WP0430801SC	WASHER 4.3X9X0.8				4.00
67	KM000000510	BLOWER MOTOR				1.00
68	EA9500B0100	CABLE BAND				3.00
69	HX00065000B	CABLE BAND				1.00
70	PJ303060001	STRAIGHT UNION				1.00
71	WS0410002KN	SPRING WASHER M4				2.00
72	WP0430801SC	WASHER M4				2.00
73	WS0410002KN	SPRING WASHER M4				2.00

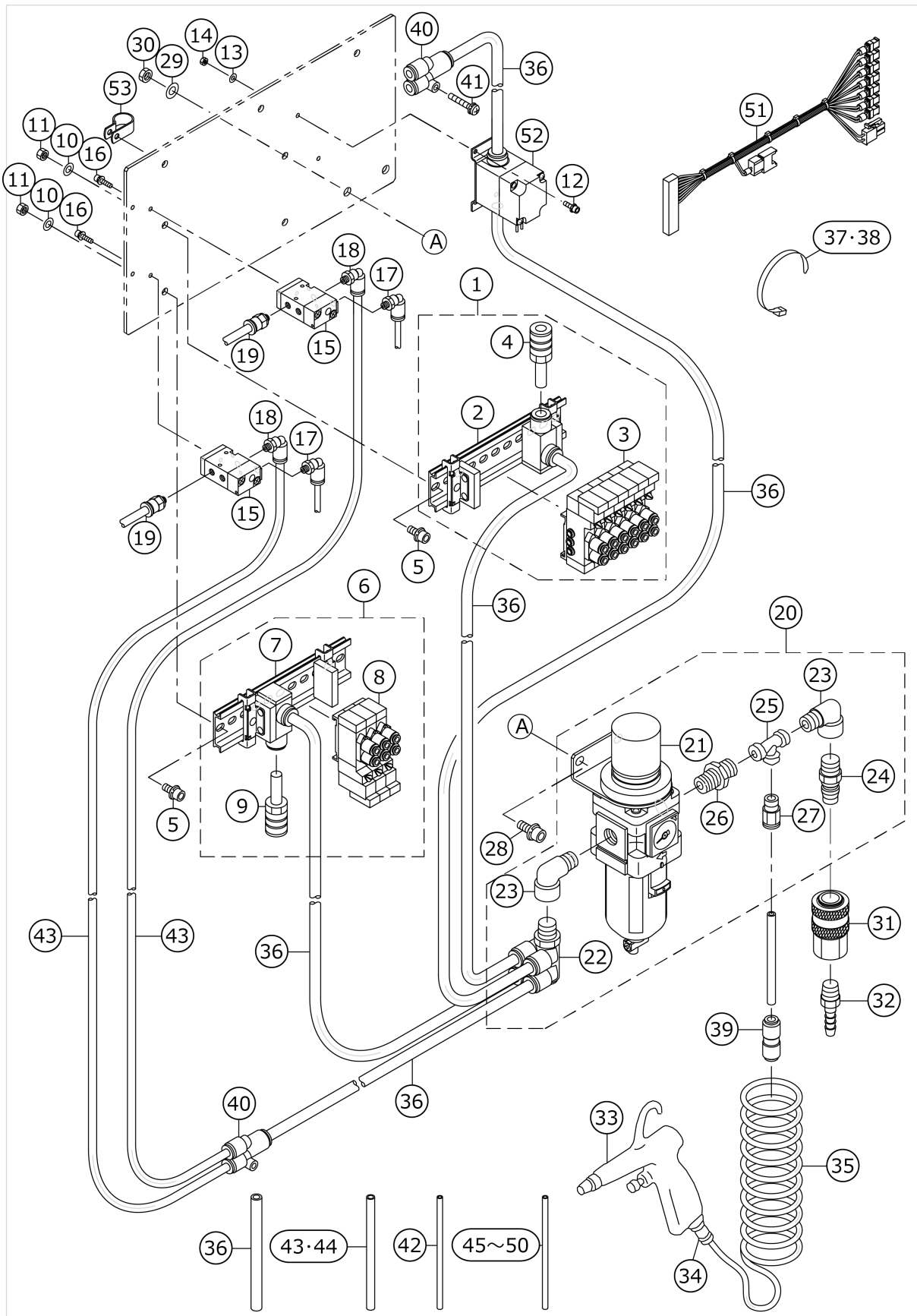




No.	品番	品名	備考	子部品	消耗品	個数
1	40093185	SUB CLAMP BASE				1.00
2	SL6040892TN	BOLT				2.00
3	40093217	SUB BASE LINER				2.00
4	40099938	SLIDER_GUIDE				1.00
5	40099939	SUB_CLAMP_SHAFT				1.00
6	CS1000881TP	THRUST COLLAR				2.00
7	SM8050602TP	SCREW M5 L=6				4.00
8	40099941	SUB_CYLINDER_PRESSER_PLATE				1.00
9	SL6041092TN	SCREW				2.00
10	40107494	SUB_CLAMP_A_LEFT				1.00
11	40107497	CLAMP_PRESSURE_BASE_A_LEFT				1.00
12	40029012	SPRING				2.00
13	SD0800426TP	SHOULDER SCREW				2.00
14	40107499	LINK_BASE				1.00
15	SL6051092TN	BOLT				2.00
16	PA1500505A0	AIR CYLINDER				1.00
17	40093194	LINK B				1.00
18	SD0800408TP	SHOULDER SCREW				1.00
19	40093191	LINK SHAFT A				1.00
20	B1906581000	THRUST WASHER				2.00
21	WP0531000SD	WASHER M5				2.00
22	NM6050001SP	NUT M5				2.00
23	SB108000700	BEARING				1.00
24	CS0800971TP	THRUST COLLAR D=8 W=9				1.00
25	PA1601531A0	AIR_CYLINDER				1.00
26	PA1602006A0	AIR CYLINDER				1.00
27	40093192	SUB BASE				1.00
28	SL6041292TN	SCREW				2.00
29	40093208	SUB_TABLE_PLATE_B				1.00
30	SL6040892TN	BOLT				2.00
31	40093209	SPACER				1.00
32	SM6040602TN	BOLT				2.00
33	40093207	CLAMP BASE				1.00
34	SL6062092TN	SCREW M6 L=20				8.00
35	40118565	CYLINDER_FITTING_PLATE_A				1.00
36	SM6051202TN	SCREW M5X0.8 L=12				2.00
37	WP0430800SC	WASHER M4				2.00
38	B1632180000	FEED ADJUSTING JOINT				1.00
39	40118568	ADJUSTING_JOINT_PIN				1.00
40	SM8050612TP	SCREW M5X6				1.00
41	40118566	CYLINDER_FITTING_PLATE_B				1.00
42	SM6051202TN	SCREW M5X0.8 L=12				2.00
43	40023635	CYLINDER PIN				1.00
44	B2107816000	WASHER				1.00
45	40097759	CYLINDER_SHAFT				1.00
46	G6014880000	LINK THRUST HOLDER				1.00
47	PC012401000	SPEED CONTROLLER				2.00
48	SL4033091SC	SCREW M3 L=30				2.00
49	40093198	LOWER CLAMP SHAFT SUPPORT				4.00
50	SL6051692TN	BOLT				4.00

51	SL6051092TN	BOLT				4.00
52	40093211	BUSHING				4.00
53	40093195	SHAFT				1.00
54	40093204	UPPER CLAMP				1.00
55	SL6051292TN	BOLT				4.00
56	40107495	SUB_CLAMP_B				4.00
57	40093202	RUBBER CLAMP				6.00
58	SL6041092TN	SCREW				12.00
59	CS1200981TP	THRUST COLLAR D=12 W=9				2.00
60	SM8050592TP	SCREW				4.00
61	40118567	ROCKING_ARM				1.00
62	SM6052002TN	BOLT				1.00
63	40093205	LOWER_CLAMP_SUPPORT				1.00
64	40093199	CLAMP B				4.00
65	SL6040892TN	BOLT				8.00
66	40118569	LIFTING_PLATE				1.00
67	SL6051092TN	BOLT				2.00
68	PA1601017A0	AIR CYLINDER				1.00
69	40023644	CYLINDER KNUCKLE				1.00
70	40023635	CYLINDER PIN				1.00
71	RE0300000K0	E-RING 3				2.00
72	40097759	CYLINDER_SHAFT				1.00
73	PC010519000	SPEED CONTROLLER				2.00
74	G6014880000	LINK THRUST HOLDER				1.00
75	40093420	CLAMP COVER SUPPORT				2.00
76	SM6041002TN	BOLT				8.00
77	40093447	CLAMP_COVER				1.00
78	SM0040601SA	SCREW				4.00
79	40093419	SUB CLAMP COVER				1.00
80	SL6040692TN	BOLT				4.00
81	SM8050502TP	SCREW M5 L=5				2.00
82	WP0820516SP	WASHER 11.6X8.2X0.6				1.00
83	40023644	CYLINDER KNUCKLE				1.00
84	HX00314000B	SPIRAL TUBE				1.50
85	RE0300000K0	E-RING 3				2.00
86	40097759	CYLINDER SHAFT				1.00
87	G6014880000	LINK THRUST HOLDER				1.00
88	G5009172000	STOPPER RUBBER				1.00
89	SL6040842TN	SCREW M4 L=8				1.00
90	40107493	SUB_CLAMP_A_RIGHT				1.00
91	40107496	CLAMP_PRESSURE_BASE_A_RIGHT				1.00
92	40107498	CLAMP_PRESSURE_BASE_B				4.00
93	SM8041012TP	SCREW M4 L=10				6.00
94	NM6040000SN	NUT M4				6.00
95	PJ046052503	HOSE ELBOW				2.00

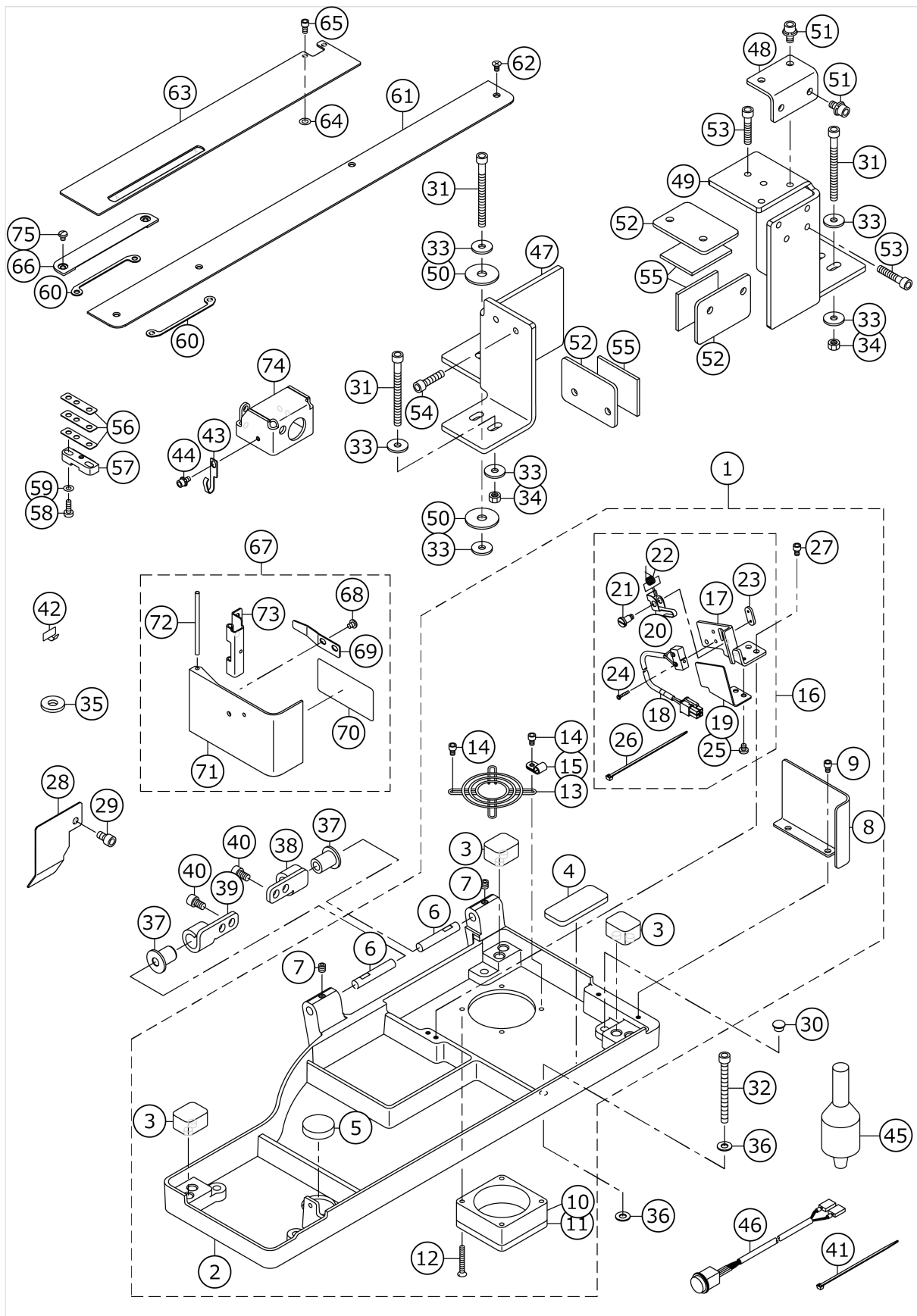
# AIR COMPONENTS



No.	品番	品名	備考	子部品	消耗品	個数
1	40093296	ELECTROMAGNETIC VALVE ASSY				1.00
2	PV915005000	SOLENOID VALVE INSTALLING BASE		*		1.00
3	PV150209300	5 PORT ELECTROMAGNETIC VALVE		*		4.00
4	PX050003000	SILENCER		*		1.00
5	SL6051292TN	BOLT				4.00
6	40000916	MANIFOLD VALVE A ASM.				1.00
7	PV915005000	SOLENOID VALVE INSTALLING BASE		*		1.00
8	PV150209300	5 PORT ELECTROMAGNETIC VALVE		*		3.00
9	PX050003000	SILENCER		*		1.00
10	WP0531001SC	WASHER				4.00
11	NM6050001SC	NUT M5				4.00
12	SL6031092TN	SCREW				2.00
13	WP0320501SC	WASHER M3				2.00
14	NM6030001SC	NUT M3				2.00
15	PV130536000	AIR OPERATE VALVE				2.00
16	SL6031292TN	BOLT				4.00
17	PJ304040504	ELBOW UNION				2.00
18	PJ304060502	ELBOW UNION 6XM5				2.00
19	PJ301060503	HALF UNION				2.00
20	40014272	ASSY_REGULATOR				1.00
21	PF0552160A0	FILTER REGULATOR		*		1.00
22	PJ309085202	DOUBLE BRANCH UNIVERSAL ELBOW		*		1.00
23	PJ042520001	ELBOW		*		2.00
24	PJ025200004	PLUG		*		1.00
25	PJ050525201	TEE		*		1.00
26	PJ030520001	RING JOINT (NIPPLE)		*		1.00
27	PJ301065201	HALF UNION 6XPT1/4		*		1.00
28	SL6061692TN	BOLT				2.00
29	WP0641601SC	WASHER				2.00
30	NM6060003SC	NUT M6				2.00
31	PJ309005204	SOCKET				1.00
32	PJ032526001	HOSE NIPPLE				1.00
33	40044823	AIR_GUN				1.00
34	PJ301065201	HALF UNION 6XPT1/4				1.00
35	G5458116000	CURLED TUBE				1.00
36	BT0800501EB	VINYL TUBE				1.00
37	HX00065000B	CABLE BAND				4.00
38	HX002920000	BAND				4.00
39	PJ303060001	STRAIGHT UNION				1.00
40	PJ308080003	Y-UNION				1.00
41	SL4042581SC	SCREW				1.00
42	BT0400251EB	URETHANE HOSE BLACK				10.50
43	BT0600401E0	TUBE				10.00
44	BT0600401EB	TUBE				12.40
45	BT0400251E0	TUBE HOSE CLEAR				6.00
46	BT0400251EH	TUBE HOSE YELLOWISH GREEN				6.00
47	BT0400251EA	TUBE HOSE BLUE				6.00
48	BT0400251ED	TUBE HOSE GREEN				6.00
49	BT0400251EE	TUBE HOSE RED				6.00
50	BT0400251EC	TUBE HOSE YELLOW				6.00

51	40085610	AIR VALVE CORD ASSY				1.00
52	40016685	AIR BLOW VALVE ASSY				1.00
53	HX00150000F	CABLE CLIP				2.00

# FRAME COMPONENTS

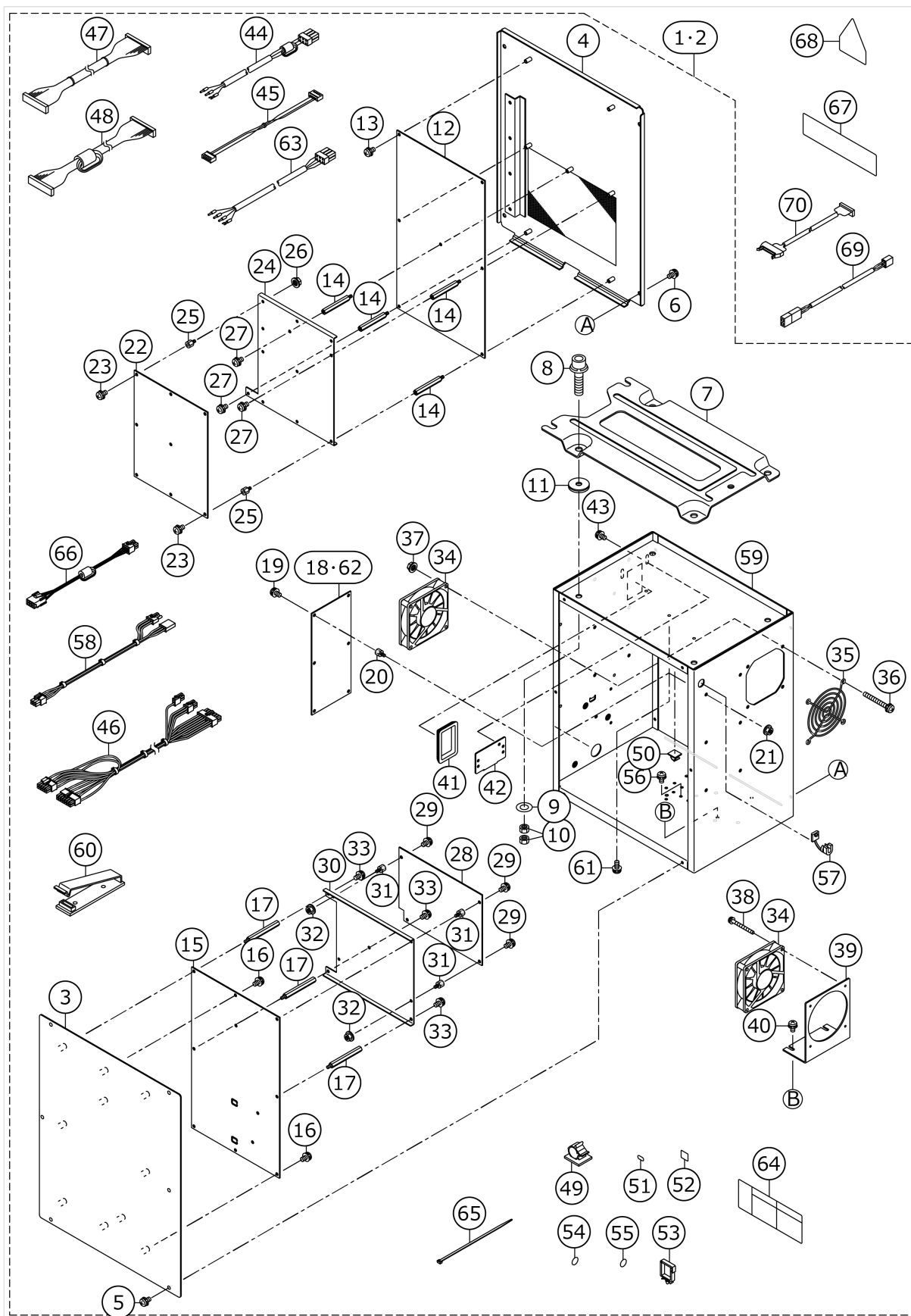


No.	品番	品名	備考	子部品	消耗品	個数
1	40015224	ASSY_BED_BASE_ACF				1.00
2	40015141	BED_BASE_ACF		*		1.00
3	40008977	RUBBER C		*		3.00
4	40008978	RUBBER D		*		1.00
5	E2002855000	Z STOPPER RUBBER		*		1.00
6	13700604	HINGE PIN		*		2.00
7	SM8060612TP	SCREW M6 L=6		*		2.00
8	40004160	BED_REAR_COVER		*		1.00
9	SM6040602TP	SCREW M4 L=6		*		2.00
10	40005403	HEAD FAN MOTOR B ASS'Y		*		1.00
11	HM000550010	FILTER		*		1.00
12	SM1043001SP	SCREW M4X0.7 L=30		*		2.00
13	HM0003800A0	FINGER GUARD		*		1.00
14	SM6040602TP	SCREW M4 L=6		*		2.00
15	HX00150000A	CABLE CLAMP		*		1.00
16	40003495	SAFETY SWITCH ASS'Y		*		1.00
17	14516603	SAFETY SW BASE		*		1.00
18	40003496	SAFETY SWITCH CORD ASS'Y		*		1.00
19	14516900	SAFETY SWITCH COVER		*		1.00
20	23638109	SAFETY SWITCH ARM		*		1.00
21	23638307	SAFETY SWITCH ARM SHAFT		*		1.00
22	23638208	SAFETY SWITCH SPRING		*		1.00
23	23638406	SAFETY SWITCH NUT		*		1.00
24	SM4021201SC	SCREW M2 L=12		*		2.00
25	SS7090520SP	SCREW 9/64-40 L= 4.5		*		2.00
26	EA9500B0100	CABLE BAND		*		1.00
27	SM6040602TP	SCREW M4 L=6		*		2.00
28	40011013	HOOK_OIL_COVER				1.00
29	SM6061002TP	SCREW M6 L=10				1.00
30	TA0800504R0	PLUG D=8 L=4.5				1.00
31	SM6067052TP	HEXAGON BOLT				11.00
32	SM6066052TP	SCREW M6 L=60				1.00
33	WP0612056SD	WASHER 6.1X18.5X2				20.00
34	NM6060001SD	NUT M6				30.00
35	D6056555B00	RUBBER CUSHION (B)				4.00
36	WP0621016SH	WASHER				2.00
37	40006314	HINGE_BUSH				2.00
38	40095631	HINNGE PLATE A				1.00
39	40095632	HINNGE PLATE B				1.00
40	SM6061002TP	SCREW M6 L=10				4.00
41	EA9500B0100	CABLE BAND				1.00
42	HX005210000	STICKER				2.00
43	26230409	LUBRICATING OIL WICK STOPPER				3.00
44	SL6040892TN	BOLT				1.00
45	14101208	HEAD SUPPORT BAR				1.00
46	40017014	PRESET LEDSW ASSY				1.00
47	40095625	BACK GUARD				1.00
48	40095629	FRONT GUARD SUPPORT				1.00
49	40095630	FRONT GUARD				1.00
50	WP0852086SC	WASHER M8				4.00



51	SL6061292TN	SCREW				4.00
52	40039255	SUPPORT PLATE				3.00
53	SM6063002TP	SCREW M6 L=30				4.00
54	SM6062502TP	SCREW M6 L=25				2.00
55	40096912	AC RUBBER				5.00
56	40004326	BTT SPACER				3.00
57	40004325	POSITIONING_PLATE_BASE				1.00
58	SM6041200SP	SCREW M4 L=12				2.00
59	WP0430801SE	WASHER 4.3X9X0.8				2.00
60	40011319	THROAT_PLATE_BASE_SPACER				2.00
61	40097865	CARRIER GUIDE				1.00
62	SM1040652TP	SCREW				4.00
63	40011320	WORK_CLAMP_CARRIER_ACF				1.00
64	WP0531000SF	WASHER M5				2.00
65	SM6040802TP	SCREW M4X0.7 L=8				2.00
66	40011318	THROAT_PLATE_BASE_COVER_ACF				1.00
67	40093215	BOBBIN COVER ASSY				1.00
68	SS4110515SP	SCREW 11/64-40 L=5		*		1.00
69	13704002	HINGE SPRING		*		1.00
70	13706304	BOBBIN CASE INDICATION LABEL		*		1.00
71	40093214	BOBBIN COVER		*		1.00
72	13703905	HINGE PIN		*		1.00
73	13703806	HOOK OIL SHIELD HINGE		*		1.00
74	40011893	SWITCH_COVER				1.00
75	SM5040550TP	SCREW M4 L=5				2.00

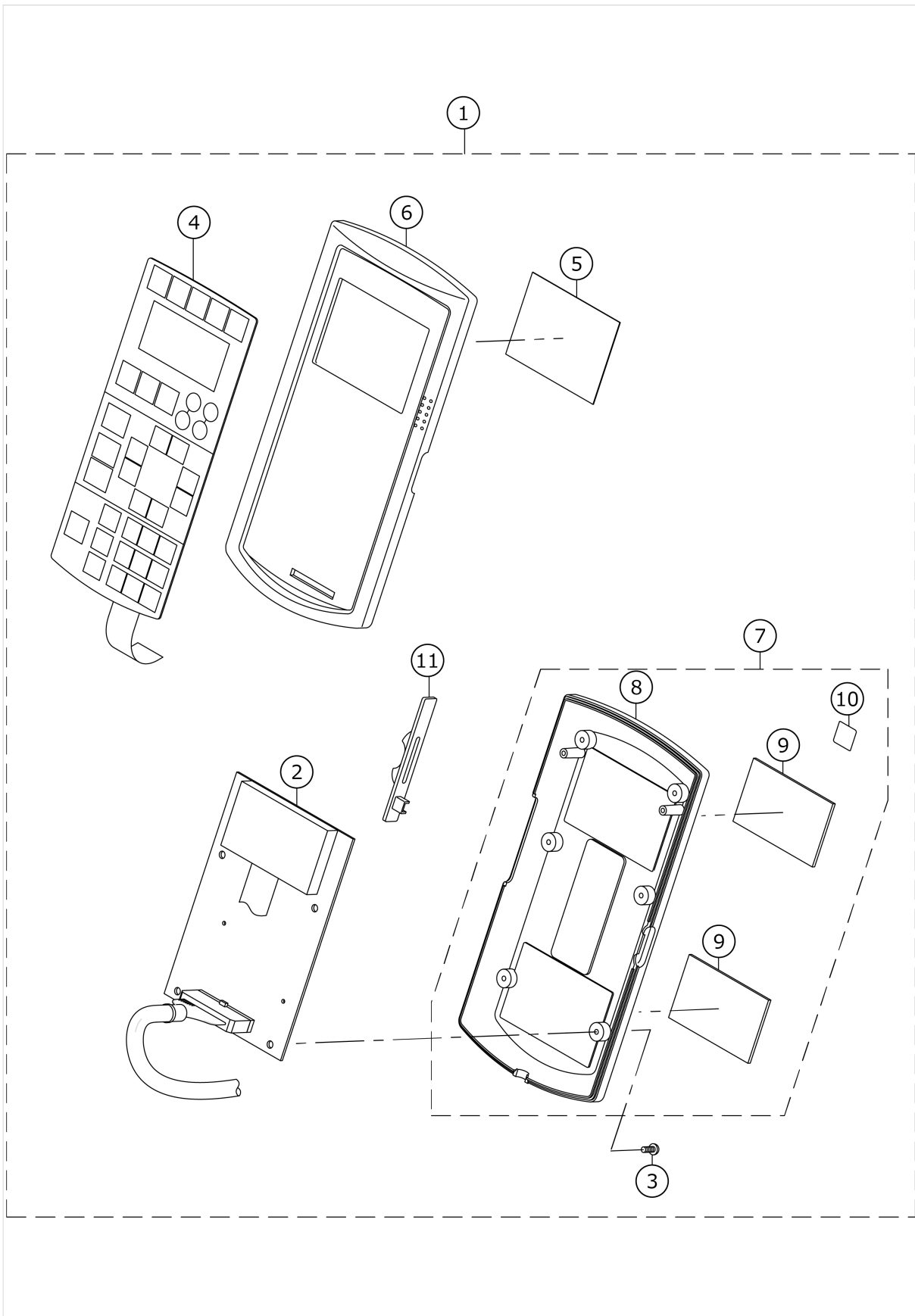
# CONTROL BOX COMPONENTS



No.	品番	品名	備考	子部品	消耗品	個数
1	40085682	CONTROL BOX B ASSY	FOR 1-PHASE			1.00
2	40085624	CONTROL BOX A ASSY	FOR 3-PHASE			1.00
3	40094018	CONTROL BOX FRONT COVER		*		1.00
4	40094019	CONTROL BOX REAR COVER		*		1.00
5	SL4040891SC	SCREW M4 L=8		*		6.00
6	SL4040891SC	SCREW M4 L=8		*		4.00
7	M3801476000	CONTROL BOX FITTING PLATE		*		1.00
8	SL6083092TN	SCREW		*		4.00
9	WP0841601SC	WASHER 8.4X17.4X1.6		*		4.00
10	NM6080001SC	NUT M8X1.25		*		8.00
11	M4206461000	WASHER		*		4.00
12	40085688	MAIN PCB C ASSY		*		1.00
13	SL4040881SC	SCREW M4 L=8		*		3.00
14	HX00339000K	SPACER		*		4.00
15	40082758	SDC PCB A ASSY		*		1.00
16	SL4040881SC	SCREW M4 L=8		*		5.00
17	HX00339000L	SPACER		*		5.00
18	40085630	FLT-S PCB B ASSY	FOR 1-PHASE	*		1.00
19	SL4040881SC	SCREW M4 L=8		*		6.00
20	KX000000380	SPACER		*		6.00
21	NM3040520SC	NUT M4		*		6.00
22	40015534	I/O PCB ASSY		*		1.00
23	SL4040881SC	SCREW M4 L=8		*		8.00
24	40085607	I/O PCB PLATE		*		1.00
25	KX000000380	SPACER		*		8.00
26	NM3040520SC	NUT M4		*		7.00
27	SL4040881SC	SCREW M4 L=8		*		3.00
28	40085596	PWR PCB ASSY		*		1.00
29	SL4040881SC	SCREW M4 L=8		*		4.00
30	40085608	PWR PCB PLATE		*		1.00
31	KX000000380	SPACER		*		4.00
32	NM3040520SC	NUT M4		*		3.00
33	SL4040881SC	SCREW M4 L=8		*		4.00
34	40005401	FAN MOTOR ASS'Y		*		2.00
35	KM000000480	FAN MOTOR		*		1.00
36	SL4043591SC	SCREW		*		4.00
37	NM3040520SC	NUT M4		*		4.00
38	SL4033091SC	SCREW M3 L=30		*		4.00
39	40085609	FAN MOTOR BRACKET		*		1.00
40	SL4040891SC	SCREW M4 L=8		*		2.00
41	HX004070000	BUSH		*		1.00
42	17845009	CORD FITTING PLATE		*		1.00
43	SL4041091SC	SCREW M4 L=10		*		2.00
44	40085679	POWER CORD 1P ASSY	FOR 1-PHASE	*		1.00
45	40005394	FLT-SDC CORD S ASS'Y		*		1.00
46	72000499	PWR CORD ASSY		*		1.00
47	40005396	SDC-MAIN CORD S ASS'Y		*		1.00
48	40085611	MAIN-I/O CORD ASSY		*		1.00
49	E9609603000	STICKER (LARGE)		*		4.00
50	E9607603000	STICKER (SMALL)		*		1.00

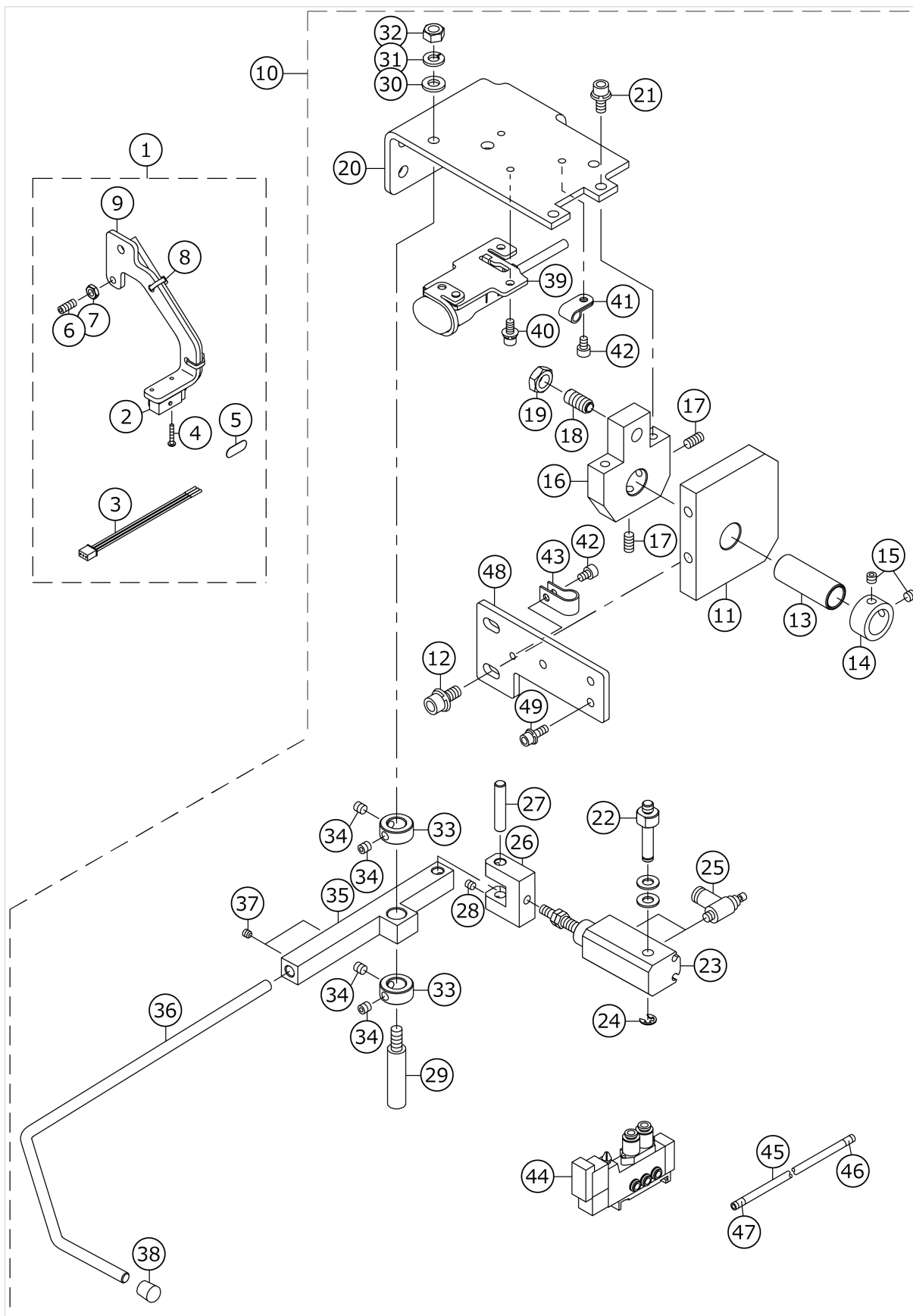
51	CM200100001	PE MARK LABEL		*		1.00
52	CM600100101	WEEE MARK LABEL S		*		1.00
53	HX005110000	WIRE SADDLE		*		3.00
54	E9567319000	EARTH MARK		*		1.00
55	40003458	MASK SEAL		*		16.00
56	SL4040891SC	SCREW M4 L=8		*		1.00
57	KX000000320	BUSH		*		2.00
58	40085680	DC PWR CORD ASSY		*		1.00
59	40055355	CONTROL BOX		*		1.00
60	M964051000A	CABLE CLIP		*		2.00
61	SL4041091SC	SCREW M4 L=10		*		1.00
62	40051320	FLT-T PCB B ASSY	FOR 3-PHASE	*		1.00
63	40085629	POWER CORD 3P ASSY	FOR 3-PHASE	*		1.00
64	CM300100401	LABEL 3 (LARGE)	FOR 3-PHASE	*		1.00
65	EA9500B0200	CABLE BAND 150		*		2.00
66	40085633	CARRIER MOTOR CORD ASSY	FOR 1-PHASE	*		1.00
67	CM300100301	DANGER LABEL(LARGE)	FOR 1-PHASE			1.00
68	CM300400601	VOLTAGE CAUTION LABEL				1.00
69	40017821	HEAD FAN JOINT CORD ASSY				1.00
70	40017822	PANEL JOINT CORD ASSY				1.00

# OPERATION PANEL COMPONENTS



No.	品番	品名	備考	子部品	消耗品	個数
1	40085683	OPERATION PANEL ASSY				1.00
2	40085612	PANEL PCB AC ASSY		*		1.00
3	ST4031051SN	TAPPING SCREW D=3-24 L=10		*		6.00
4	40085690	OPERATION_PANEL_SHEET		*		1.00
5	40003462	LCD SHEET		*		1.00
6	40003464	OPERATION BOX UPPER CASE		*		1.00
7	M10315800A0	OPERATION BOX LOWER CASE ASM.		*		1.00
8	M1031580000	OPERATION BOX LOWER CASE		*		1.00
9	M1011580000	MAGNET SHEET		*		2.00
10	CM600100101	WEEE MARK LABEL S		*		1.00
11	M1032580000	VOLUME TONGUE		*		1.00

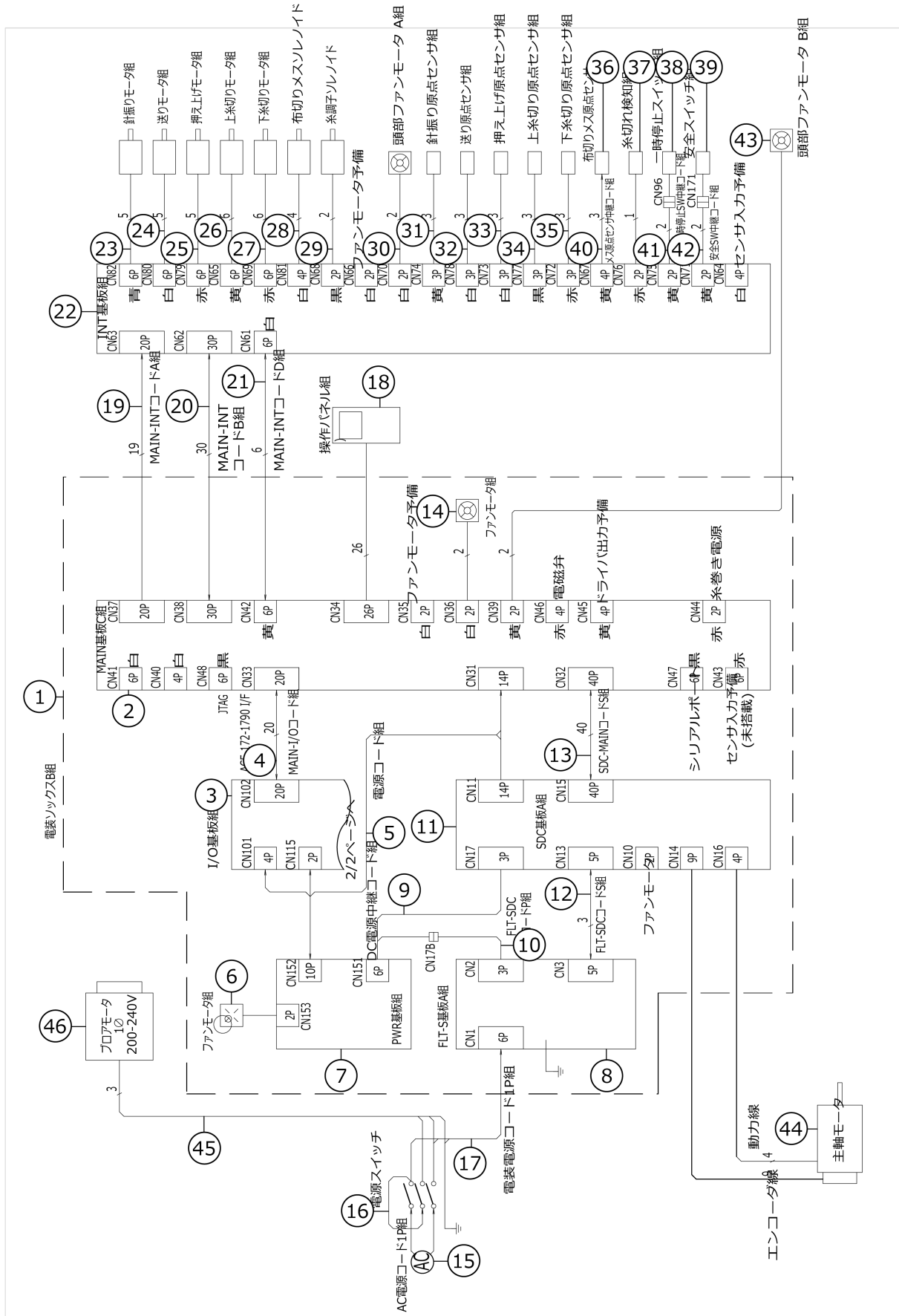
# OPTIONAL PARTS COMPONENTS



No.	品番	品名	備考	子部品	消耗品	個数
1	40098452	EDGE_SENSOR_ASM.				1.00
2	40098333	CLOTH DETECTOR ASSY		*		1.00
3	40098334	CLOTH CORD ASSY		*		1.00
4	SM4021201SC	SCREW M2 L=12		*		2.00
5	40088020	CLOTH_DETECTION_REFLECTION_SHEET		*		1.00
6	SM8041012TP	SCREW M4 L=10		*		1.00
7	NM6040003SC	NUT M4		*		1.00
8	EA9500B0000	CABLE BAND		*		8.00
9	40098453	SENSOR_BASE		*		1.00
10	40098686	SUPPORT CLAMP ASSY				1.00
11	40098688	BLOCK_D		*		1.00
12	SL6061492TN	BOLT		*		2.00
13	40098689	SLIDE_SHAFT		*		1.00
14	CS1501181TP	THRUST COLLAR D=15 W=11		*		1.00
15	SM8050412TP	SCREW M5 L=4		*		2.00
16	40098690	DARTS_COLLAR		*		1.00
17	SM8051002TP	SCREW M5 L=10		*		2.00
18	40035107	BALL_PLUNGER_H		*		1.00
19	NM6080003SC	NUT M8		*		1.00
20	40098691	BASE_PLATE		*		1.00
21	SL6051292TN	BOLT		*		2.00
22	40098692	CYLINDER_SUPORT_PIN		*		1.00
23	PA1601017A0	AIR CYLINDER		*		1.00
24	RE0400000K0	E-RING 4		*		1.00
25	PC010508000	SPEED CONTROLLER		*		2.00
26	40098694	CYLINDER_JOINT		*		1.00
27	40098695	JOINT		*		1.00
28	SM8040412TP	SET SCREW M4 L=4		*		2.00
29	G5124164000	CLAMP SHAFT		*		1.00
30	WP0641601SC	WASHER		*		1.00
31	WS0610002KN	SPRING WASHER 6.1X12.2X1.5		*		1.00
32	NM6060001SC	NUT M6		*		1.00
33	CS1000881TP	THRUST COLLAR		*		2.00
34	SM8050512TP	SCREW		*		4.00
35	40098696	CLAMP_BLOCK		*		1.00
36	40098698	CLAMP_FOOT		*		1.00
37	SM8040412TP	SET SCREW M4 L=4		*		2.00
38	G5138161000	RUBBER CAP		*		1.00
39	40098857	PRESET SW ASSY		*		1.00
40	SL6041092TN	SCREW		*		2.00
41	HX00150000A	CABLE CLAMP		*		4.00
42	SL4040891SC	SCREW M4 L=8		*		3.00
43	HX00150000C	CABLE CLIP		*		2.00
44	PV150209300	5 PORT ELECTROMAGNETIC VALVE		*		1.00
45	BT0400251EB	URETHANE HOSE BLACK		*		4.00
46	18035006	CABLE MARK NO.1		*		2.00
47	18035105	WIRE MARK (2)		*		2.00
48	40098687	DARTS_BASE		*		1.00
49	SL6041292TN	SCREW		*		3.00

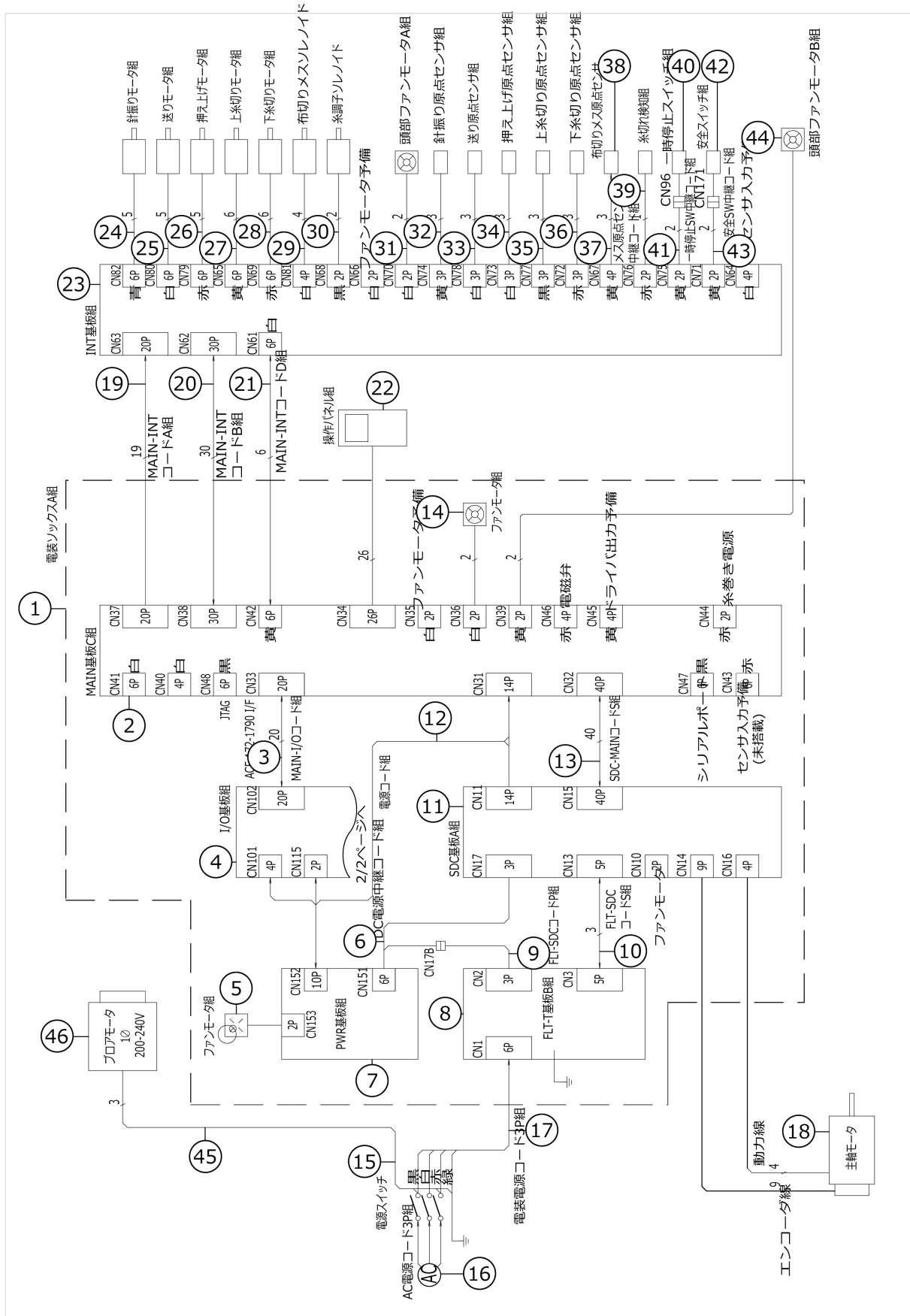


# WIRING DIAGRAM (1) FOR 1-PHASE



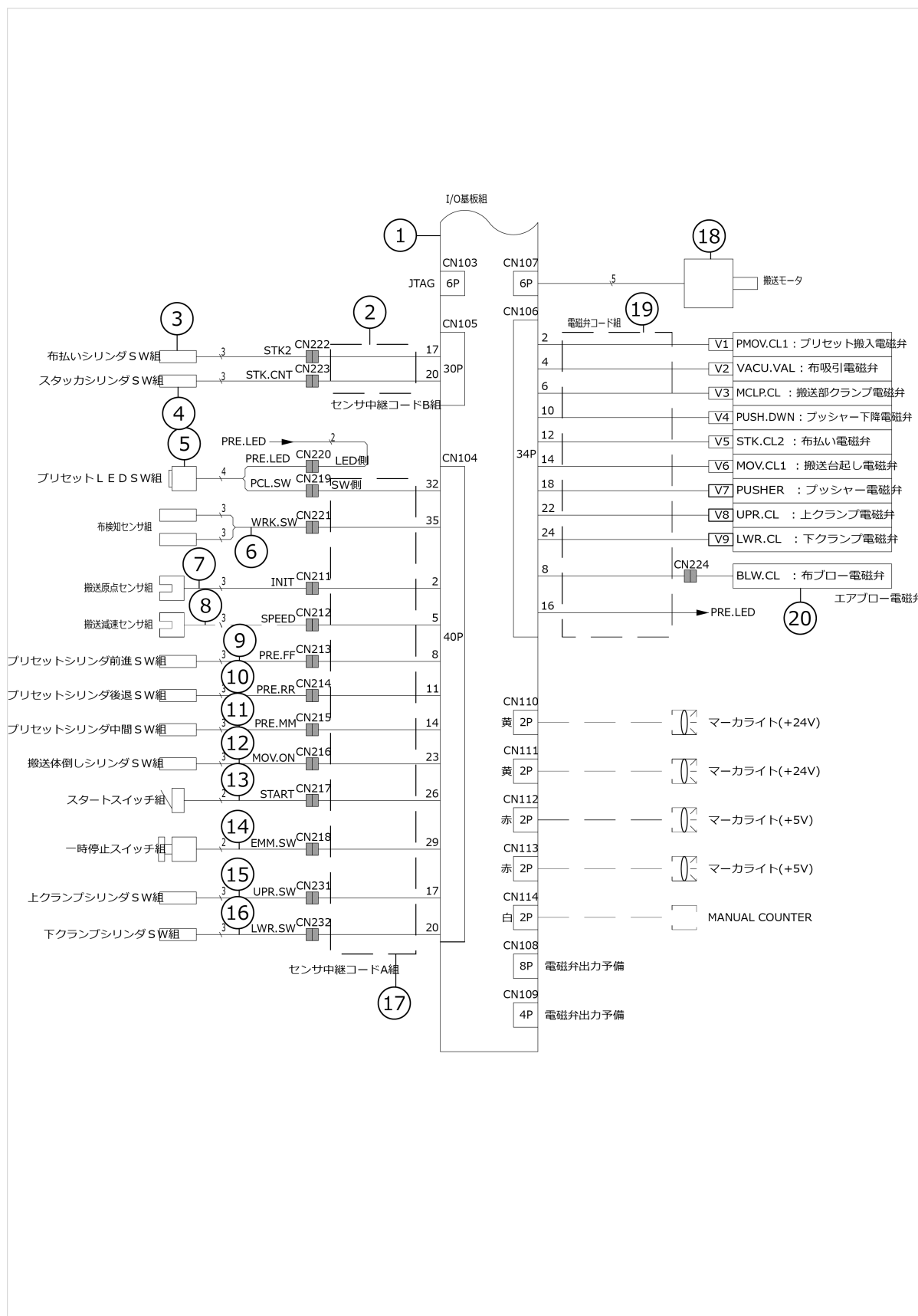
No.	品番	品名	備考	子部品	消耗品	個数
1	40085682	CONTROL BOX B ASSY				1.00
2	40085688	MAIN PCB C ASSY		*		1.00
3	40015534	I/O PCB ASSY		*		1.00
4	40085611	MAIN-I/O CORD ASSY		*		1.00
5	72000499	PWR CORD ASSY		*		1.00
6	40005401	FAN MOTOR ASSY		*		1.00
7	40085596	PWR PCB ASSY		*		1.00
8	40000046	FLT-S PCB A ASSY		*		1.00
9	40085680	DC PWR CORD ASSY		*		1.00
10	40005393	FLT-SDC CORD P ASSY		*		1.00
11	40082758	SDC PCB A ASSY		*		1.00
12	40005394	FLT-SDC CORD S ASSY		*		1.00
13	40005396	SDC-MAIN CORD S ASSY		*		1.00
14	40005401	FAN MOTOR ASSY		*		1.00
15	40017092	AC POWER CORD 1P ASSY				1.00
16	HA005820000	SWITCH				1.00
17	40085679	POWER CORD 1P ASSY				1.00
18	40085683	OPERATION PANEL ASSY				1.00
19	40005397	MAIN-INT CORD A ASSY				1.00
20	40005398	MAIN-INT CORD B ASSY				1.00
21	40005399	MAIN-INT CORD D ASSY				1.00
22	40003422	INT PCB ASSY				1.00
23	40005371	NEEDLE SWING MOTOR ASSY				1.00
24	40005372	FEED MOTOR ASSY				1.00
25	40005373	CLAMP MOTOR ASSY				1.00
26	40005374	UT TRIM MOTOR ASSY				1.00
27	40005375	LT TRIM MOTOR ASSY				1.00
28	40004382	SOLENOID				1.00
29	40006261	ASSY_AT_SOLENOID				1.00
30	40119461	HEAD FAN MOTOR A ASSY				1.00
31	40005377	NEEDLE SWING SENSOR ASSY				1.00
32	40005378	FEED SENSOR ASSY				1.00
33	40005379	CLAMP SENSOR ASSY				1.00
34	40005380	UT TRIM SENSOR ASSY				1.00
35	40005381	LT TRIM SENSOR ASSY				1.00
36	HD00057000A	PHOTO SENSOR				1.00
37	40003499	THREAD BREAK DETECTOR ASSY				1.00
38	32002354	SWITCH ASM.				1.00
39	40003495	SAFETY SWITCH ASSY				1.00
40	40005382	CUTTER SENSOR JOINT CORD ASSY				1.00
41	40005400	PAUSE SWITCH JOINT CORD ASSY				1.00
42	40003497	SAFETY SWITCH JOINT CORD ASSY				1.00
43	40005403	HEAD FAN MOTOR B ASSY				1.00
44	40028015	AC SERVO MOTOR				1.00
45	40120851	MOTOR POWER CORD ASSY				1.00
46	KM000000510	BLOWER MOTOR				1.00

# WIRING DIAGRAM (2) FOR 3-PHASE



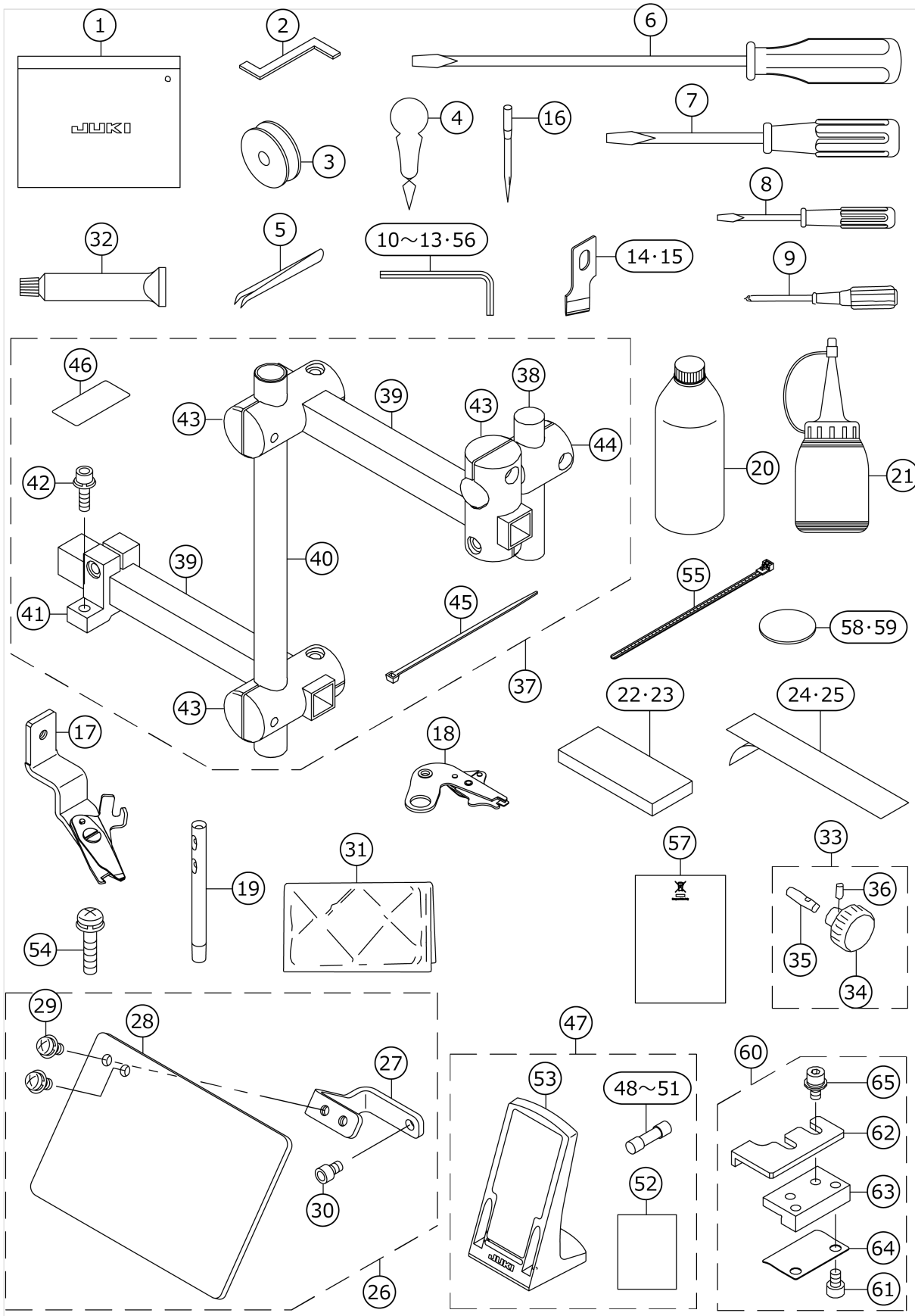
No.	品番	品名	備考	子部品	消耗品	個数
1	40085624	CONTROL BOX A ASSY				1.00
2	40085688	MAIN PCB C ASSY		*		1.00
3	40085611	MAIN-I/O CORD ASSY		*		1.00
4	40015534	I/O PCB ASSY		*		1.00
5	40005401	FAN MOTOR ASSY		*		1.00
6	40085680	DC PWR CORD ASSY		*		1.00
7	40085596	PWR PCB ASSY		*		1.00
8	40051320	FLT-T PCB B ASSY		*		1.00
9	40005393	FLT-SDC CORD P ASSY		*		1.00
10	40005394	FLT-SDC CORD S ASSY		*		1.00
11	40082758	SDC PCB A ASSY		*		1.00
12	40085681	PWR CORD ASSY		*		1.00
13	40005396	SDC-MAIN CORD S ASSY		*		1.00
14	40005401	FAN MOTOR ASSY		*		1.00
15	HA005820000	SWITCH				1.00
16	40017091	AC POWER CORD 3P ASSY				1.00
17	40085629	POWER CORD 3P ASSY				1.00
18	40028015	AC SERVO MOTOR				1.00
19	40005397	MAIN-INT CORD A ASSY				1.00
20	40005398	MAIN-INT CORD B ASSY				1.00
21	40005399	MAIN-INT CORD D ASSY				1.00
22	40085683	OPERATION PANEL ASSY				1.00
23	40003422	INT PCB ASSY				1.00
24	40005371	NEEDLE SWING MOTOR ASSY				1.00
25	40005372	FEED MOTOR ASSY				1.00
26	40005373	CLAMP MOTOR ASSY				1.00
27	40005374	UT TRIM MOTOR ASSY				1.00
28	40005375	LT TRIM MOTOR ASSY				1.00
29	40004382	SOLENOID				1.00
30	40006261	ASSY_AT_SOLENOID				1.00
31	40119461	HEAD FAN MOTOR A ASSY				1.00
32	40005377	NEEDLE SWING SENSOR ASSY				1.00
33	40005378	FEED SENSOR ASSY				1.00
34	40005379	CLAMP SENSOR ASSY				1.00
35	40005380	UT TRIM SENSOR ASSY				1.00
36	40005381	LT TRIM SENSOR ASSY				1.00
37	40005382	CUTTER SENSOR JOINT CORD ASSY				1.00
38	HD00057000A	PHOTO SENSOR				1.00
39	40003499	THREAD BREAK DETECTOR A				1.00
40	32002354	SWITCH ASM.				1.00
41	40005400	PAUSE SWITCH JOINT CORD ASSY				1.00
42	40003495	SAFETY SWITCH ASSY				1.00
43	40003497	SAFETY SWITCH JOINT CORD ASSY				1.00
44	40005403	HEAD FAN MOTOR B ASSY				1.00
45	40120851	MOTOR POWER CORD ASSY				1.00
46	KM000000510	BLOWER MOTOR				1.00

# WIRING DIAGRAM (3)



No.	品番	品名	備考	子部品	消耗品	個数
1	40015534	I/O PCB ASSY				1.00
2	40016853	SENSOR JOINT CORD B ASSY				1.00
3	40016851	STACKER2 CYL SW ASSY				1.00
4	40016850	STACKER CNT CYL SW ASSY				1.00
5	40017014	PRESET LEDSW ASSY				1.00
6	40016645	SPACER EC				1.00
7	40016842	CARRIER ORG SENSOR ASSY				1.00
8	40016843	CARRIER DECEL SENSOR ASSY				1.00
9	40016846	PRESET CYL FWD SW ASSY				1.00
10	40016848	PRESET CYL BKWD SW ASSY				1.00
11	40016847	PRESET CYL MID SW ASSY				1.00
12	40016849	CARRIER MOV CYL SW ASSY				1.00
13	40016844	START SWITCH ASSY				1.00
14	40015562	PAUSE SWITCH ASSY				1.00
15	40085621	UPPER CLAMP SENSOR ASSY				1.00
16	40085622	LOWER CLAMP SENSOR ASSY				1.00
17	40085613	SENSOR JOINT CORD A ASSY				1.00
18	72000499	PWR CORD ASSY				1.00
19	40085610	AIR VALVE CORD ASSY				1.00
20	40016685	AIR BLOW VALVE ASSY				1.00

# ACCESSORIES COMPONENTS (1)

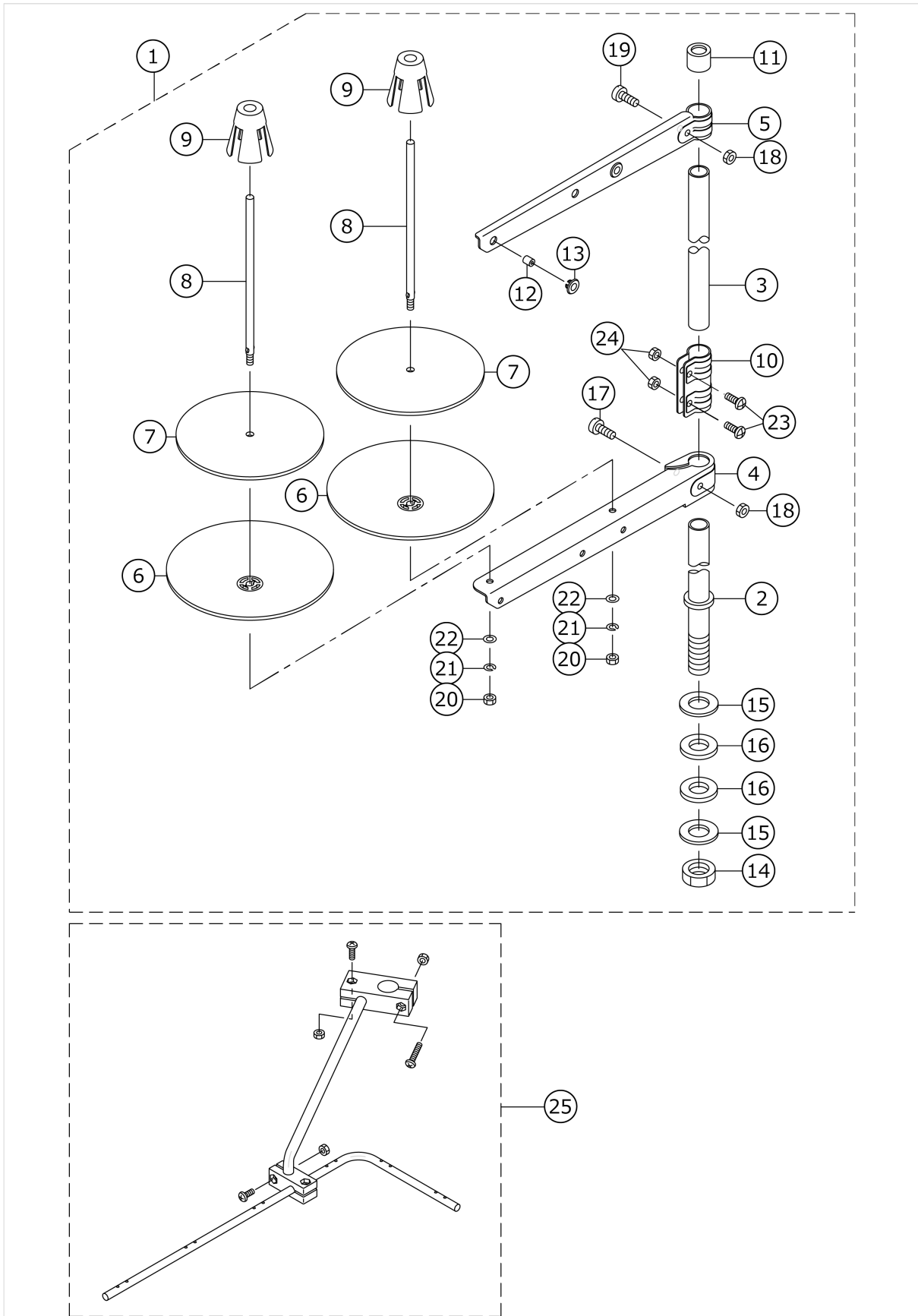


No.	品番	品名	備考	子部品	消耗品	個数
1	22932800	ACCESSORIE BAG				1.00
2	40015430	TIMING_GAUGE_ACF				1.00
3	40009148	BOBBIN				1.00
4	B9107761000	THREAD PASSING INSTRUMENT				1.00
5	B9204804000	TWEEZERS				1.00
6	22933006	SCREW DRIVER LARGE				1.00
7	22933105	SCREW DRIVER MIDDLE				1.00
8	22933204	SCREW DRIVER SMALL				1.00
9	MAI17002000	RECESSED HEAD DRIVER (NO.1)				1.00
10	J106600000D	HEXAGONAL WRENCH KEY				1.00
11	GCT02904000	SPANNER				1.00
12	GCT02905000	SPANNER				1.00
13	12455507	HEXAGONAL WRENCH 1.5				1.00
14	B2702047K00A	KNIFE 3/8				1.00
15	B2702047M00A	KNIFE 5/8				1.00
16	MDP5J0B1102	NEEDLE DPX5 #11J-2				1.00
17	40004255	ASSY_UTT_TRIMMER				1.00
18	40004311	BT_TRIMMER				1.00
19	22502504	THREAD GUIDE BAR				1.00
20	MDFRX1600C0	DEFRIX OIL NO.1(600CC)				1.00
21	J1067000000	OILER				1.00
22	G5134172000	CLAMP CUSHION LARGE				2.00
23	G5135172000	CLAMP CUSHION SMALL				2.00
24	G5138172000	CLAMP TABLE LINER				1.00
25	G5302172000	PRESET TABLE LINER				5.00
26	40052047	ASSY SAFETY PLATE B				1.00
27	40049424	SAFETY PLATE BASE		*		1.00
28	B3120372000	SAFETY PLATE		*		1.00
29	SL4040891SC	SCREW M4 L=8		*		2.00
30	SM6040602TP	SCREW M4 L=6		*		1.00
31	26234005	VINYL COVER				1.00
32	40006323	JUKI GREASE A TUBE				1.00
33	G53471720A0	PRESET ADJUSTING HANDLE ASM.				1.00
34	G5347172000	PRESET ADJUSTING HANDLE		*		1.00
35	G5348172000	PRESET ADJUSTING HANDLE BOSS		*		1.00
36	PS0300162KH	SPRING PIN 3X16		*		1.00
37	40092733	PH=MARKER	OPTIONAL PARTS			1.00
38	40096356	MARKING LIGHT		*		1.00
39	40096357	MARKING LIGHT PIPE A		*		2.00
40	40096359	MARKING LIGHT PIPE C		*		1.00
41	72001131	MARKING_LIGHT_PIPE_CLAMP_A		*		1.00
42	SL6041492TN	SCREW		*		2.00
43	72001132	MARKING_LIGHT_PIPE_CLAMP_B		*		3.00
44	72001133	MARKING_LIGHT_PIPE_CLAMP_C		*		1.00
45	EA9500B0100	CABLE BAND		*		2.00
46	G5309164000	SCALE		*		2.00
47	40085684	CONTROL BOX ACCESORY B ASSY				1.00
48	HF0013050P0	FUSE 5A		*		1.00
49	HF0013040P0	FUSE 4A		*		1.00
50	HF00130315S	FUSE 3.15A 250V REF. NO.112		*		1.00



51	HF003000200	FUSE 2A (220/240V)		*		1.00
52	40015521	DECLARATION		*		1.00
53	40035024	OPERATION_BOX_FIXED_PLATE(B)ASM.		*		1.00
54	SL4052581SC	SCREW M5 L=25				2.00
55	HX002920000	BAND				1.00
56	J106600000G	HEXAGONAL WRENCH KEY				1.00
57	CM600100201	WEEE INFORMATION SHEET				1.00
58	40097821	SPACER A				3.00
59	40097822	SPACER B				3.00
60	40113000	GUAGE ASM.				3.00
61	SM6040602TN	SCREW		*		2.00
62	40113001	GUAGE		*		1.00
63	40113002	GUAGE BASE		*		1.00
64	40113003	GUAGE SPRING		*		1.00
65	SL6040892TN	SCREW M4 L=8		*		2.00

# ACCESSORIES COMPONENTS (2)



No.	品番	品名	備考	子部品	消耗品	個数
1	40096354	THREAD STAND ASM.				1.00
2	40085784	SPOOL REST ROD LOWER		*		1.00
3	40085785	SPOOL REST ROD UPPER		*		1.00
4	40085786	SPOOL REST ARM LOWER		*		1.00
5	40085787	SPOOL REST ARM UPPER		*		1.00
6	40085788	SPOOL REST		*		2.00
7	40085789	SPOOL REST CUSHION		*		2.00
8	40085790	SPOOL PIN		*		2.00
9	40085791	SPOOL RETAINER		*		2.00
10	40085792	SPOOL REST ROD JOINT		*		1.00
11	40085793	SPOOL REST ROD RUBBER CAP		*		1.00
12	40085794	THREAD GUIDE		*		2.00
13	40085795	THREAD GUIDE BUSHING		*		2.00
14	40096325	SPOOL REST ROD NUT		*		1.00
15	WP1612616SE	WASHER 16X30X2.6		*		2.00
16	40085796	SPOOL REST ROD RUBBER CUSHION		*		2.00
17	40096326	SPOOL REST ARM LOWER SCREW		*		1.00
18	NM6050001SE	NUT M5		*		2.00
19	40096327	SPOOL REST ARM UPPER SCREW		*		1.00
20	NM6050001SE	NUT M5		*		2.00
21	WS0510002KN	SPRING WASHER M5		*		2.00
22	WP0531001SC	WASHER M5		*		2.00
23	SM4051405SE	SCREW M5 L=14		*		2.00
24	NM6050001SE	NUT M5		*		2.00
25	26910059	THREAD GUIDE ARM ASM.				1.00



# HOW TO MAKE USE OF THIS PARTS LIST

## 1.Explanation of codes

1)"\*"mark.....means this part is changed from the previous parts book.

As to the details of the change, refer to the "List for information of change".

2)"#01".....refer to "Note" explanation at bottom of page.

## 2.Codes on the "Qty" column

· Each numeral indicates the number of parts required.

· "0.1" and "2.5" indicate the length (in meters) of the respective parts.

3.Parentheses mean that the corresponding part is a subpart that constructs an assembly part.

4.Dotted lines on the Figures indicate assembly parts.

5.As to the parts with marks of "☆"(consumable parts) and "◎"(optional parts)on the respective parts, it is recommended to prepare spares.

## 1 ."注記"欄の記号説明

1) "\*"印.....前回のパーツブックに比較して今回変更された部品を意味します。

変更内容は、"変更情報リスト"を参照してください。

2) "#01".....ページ下の"注記"の説明を参照してください。

2 .数量欄の数字は、個数を表し、0.1、2.5等の数値は、長さ（単位メートル）を表します。

3 .数量欄の（ ）は、組部品を構成している子部品であることを意味します。

4 .イラストページの-----枠は、組構成であることを意味します。

5 .リストページの"☆"（消耗部品）、"◎"（オプション部品）の印がついた部品は、予備を準備しておくことをお奨めします。